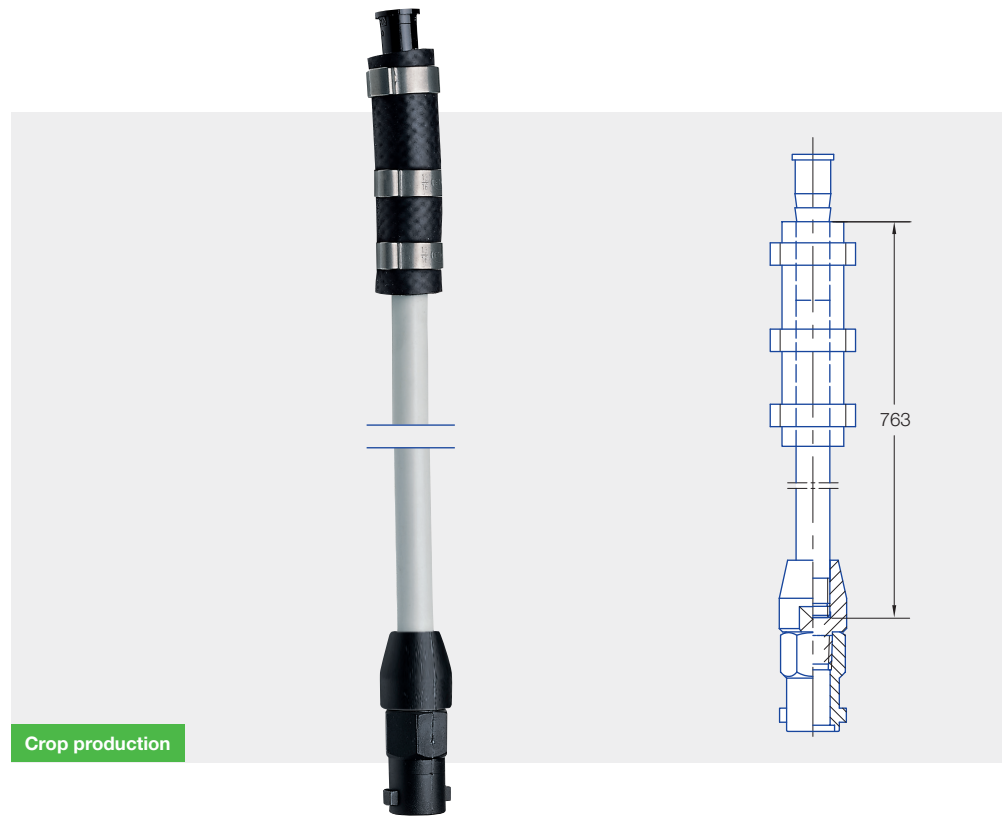


# Tube drop system for boom sprayers

Tube drop system for late liquid fertilizer application and herbicide application in row crops.

## Advantages

- Liter per hectare rates and application method can be chosen by means of nozzle type and sizes
- No risk of scorching of upper plant parts
- In comparison with hose drop system
  - lower loading of boom for large working widths
  - lower float-up tendency
- No dripping and running empty with the use of the ball valve (see page 108)



**Tube spacing**  
0.25 m / 0.5 m



**Pressure range**  
1 – 5 bar

## Application area



Liquid fertilizer

Item	Description	Material	Order. no.
<b>1 – 7</b>	Tube drop, complete (exclusive of nozzle, caps, strainer, extension)		092.170.00.00.00.4
<b>1</b>	Tube	PP	
<b>2</b>	O-ring 7x1		095.015.6C.02.09.0
<b>3</b>	Body	POM	092.170.56.00.03.0
<b>4</b>	Hard hose	Rubber	095.009.72.13.69.0
<b>5</b>	2-eye clamp	Stainl. steel	095.016.1C.12.04.0
<b>6</b>	Hose shank	POM	095.016.56.07.49.0
<b>7</b>	Bayonet body	PA	A400.275.N0.00.00.0
<b>8</b>	Bayonet cap – Spray boom		
	System Lechler TWISTLOC (incl. gasket 065.242.73)	POM	065.202.56.11.00.0
8a	System MULTIJET* + Hose shank 13 mm/AG 1/4" + Bayonet cap G 1/4" (incl. 3.0 mm gasket A.402.200.04.00)	POM POM POM	A.103.013 A.402.910.01 A.402.904.10
8b	+ Bayonet cap (incl. 3.0 mm gasket A.402.200.04.00) + optional: 4.0 mm gasket for tight fit of bayonet cap	POM Rubber	095.015.73.02.85.0
	System Rau + gasket + safety stirrup	POM Rubber Stainl. steel	095.016.56.05.93.0 095.015.73.04.61.0 095.016.16.05.94.0
<b>9</b>	Bayonet cap for 5-orifice nozzles FL (incl. gasket A.402.200.04.00)	POM	
<b>10</b>	Fertilizer nozzles 5-orifice nozzles FL Fertilizer nozzles FD		
<b>11</b>	Strainer w/o ball valve Nozzle strainer 25 M Nozzle strainer with ball valve, 25 M		065.256.56.00 065.266.56.00
<b>12</b>	Extension, compatible to FL-nozzle in POM	POM	092.170.56.20.00.0

\* Please note correct alignment when bajonet cap (8a) is assembled

Please see UAN spray tables for FD and FL nozzles on page 69 and 71.

