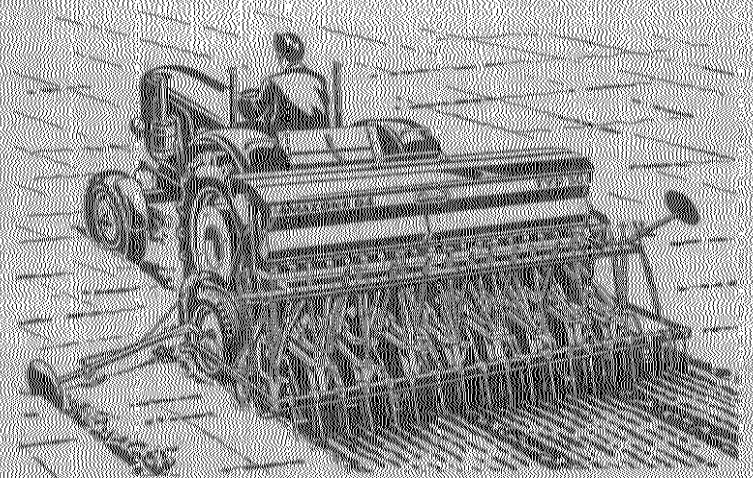


AMAZONE D4/-25/-30

CORN AND SEED DRILL



Spare parts list

IMPORTERS FOR THE UNITED KINGDOM

MANUFACTURED BY:



WINNALL INDUSTRIAL ESTATE,
WINCHESTER, HANTS.

Telephone 5474 WINCHESTER (4 lines)



AMAZONEN-WERKE

Gustav-Osnabrück - Western Germany

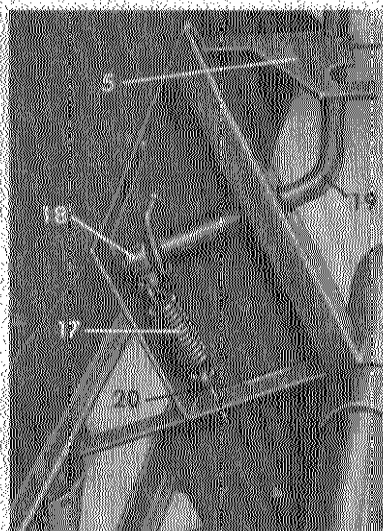
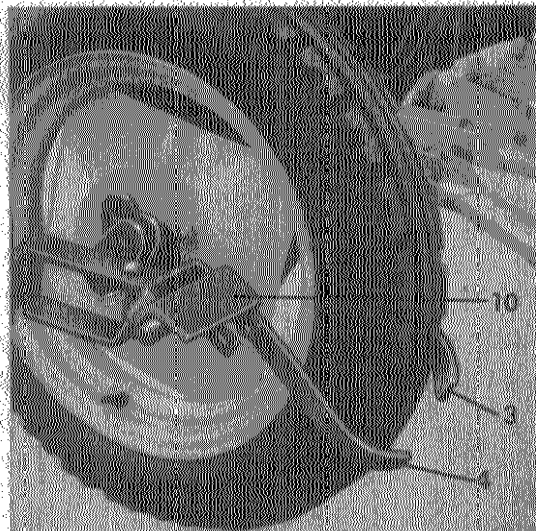
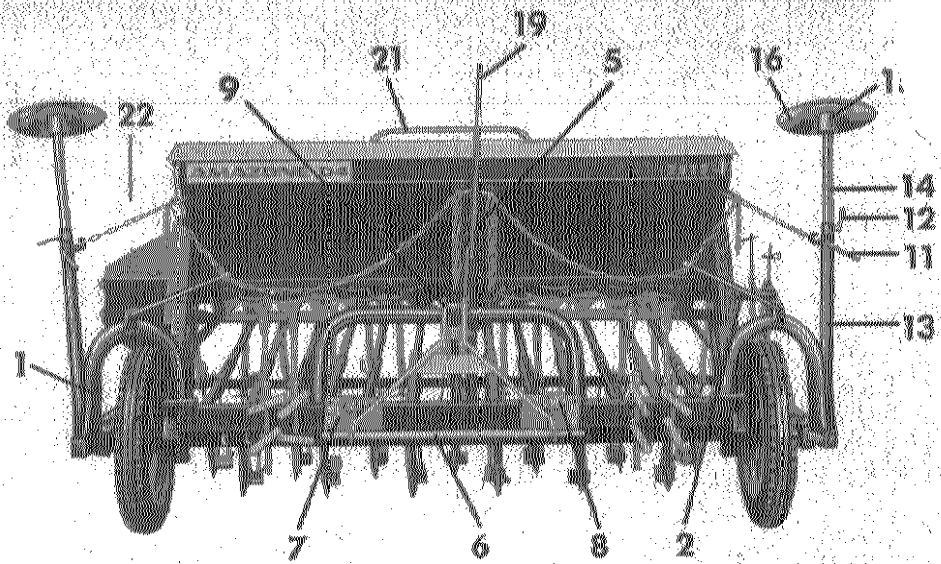


Diagram 1

Quantity per Machine	DESCRIPTION	ORDER NO.	
		Diagram No.	Part No.
1	Wheel arch, offside	1/1	D4-D 117
1	Wheel arch, nearside	1/1	D4-D 118
2	Pivot arm, complete	1/2	D4-A 132
2	Inner wheel scraper	1/3	D4-C 1128
2	Outer wheel scraper	1/4	D4-B 1129
2	Inner wheel scraper	1/3	D4-A 1126
2	Outer wheel scraper	1/4	D4-A 1132
1	Bracket for Disc Marker handle	1/5	D4-A 1143
1	Pick up yoke, complete	1/6	D4-A 123
2	Clamp holders for pick up yoke, compl.	1/7	D4-A 1151f
4	Hook bolts for pick up yoke, compl.	1/8	D4-A 1153f
1	Centre link pin	1/9	ZA-A 574
1	Outside Coupler Holder, offside	1/10	D4-B 121
1	Outside Coupler Holder, nearside	1/10	D4-B 122
2	Thumb screws for Disc Markers	1/11	D4-A 129
2	Locking collar with thumb screw	1/12	D4-A 131
1	Logger Tube for Disc Markers, nearside	1/13	D4-A 133
1	Lower Tube for Disc Markers, offside	1/13	D4-B 125
2	Upper tube for Disc Marker	1/14	D4-A 126
2	Disc Marker hub D 207 less bearing	1/15	D4-A 1265
4	Grooved Ball bearing	1/15	6204
2	Circlip	1/15	DIN 471 260 x 1,2
2	Circlip	1/15	DIN 427 470 x 1,75
4	Seats	1/15	Z204
2	Marking disc	1/16	D4-A 1266
1	Tension spring for Marker handle	1/17	D4-A 1275
1	Spring hook	1/18	D4-A 1274
1	Marker handle less spring hook	1/19	D4-B 1271
1	Eye bolt with ash	1/20	DIN 444 8x30
1	Hopper Cover	1/21	D4-A 413
1	Cover handle	1/21	D4-A 419
2	Chain	1/22	DIN 7632550 1g (8 H 3')

Quantity per Machine	DESCRIPTION	ORDER NO.	
		Diagram No.	Part No.
1	Adjustable handle for bottom flap shaft	2/1	D 4-B 4162
1	Slotted plate for bottom flap handle	2/2	D 4-A 1131
1	Bottom flap shaft D 4/25	2/3	D 4-B 4161/1
1	Bottom flap shaft D 4/30	2/3	D 4-B 4161
19-21	Bottom flap, complete	not illus.	D 3-A 117
19-21	Shut off slides	2/4	D 3-B 120
19-21	Shut off screws & washers, complete	2/5	D 3-B 142
1	Metering wheel shaft D 4/25	2/6	D 4-A 3171/1
1	Metering wheel shaft D 4/30	2/6	D 4-A 3171
3	Bearing housing D 202 for Metering wheel shaft	2/7	D 4-A 3172
1	Bearing housing, offside, for Metering wheel shaft	not illus.	D 4-A 3173
19-21	Seed box	2/8	D 4-A 415
38-42	Base for seed box	not illus.	D 3-A 121
1	Cross beam D 4/25	2/9	D 4-C 124/1
1	Cross beam D 4/30	2/9	D 4-C 124
2	Spring for cross beam	2/10	D 4-B 1244
1	Calibration tray handle	2/11	D 4-A 225
1	Calibration tray, long, D 4/25	not illus.	D 4-A 417/1
1	Calibration tray, short, D 4/25	not illus.	D 4-A 418/1
1	Calibration tray, long, D 4/30	not illus.	D 4-A 417
1	Calibration tray, short, D 4/30	not illus.	D 4-A 418
1	Grease gun	not illus.	
1	Mud flap, nearside (short), D 4/25	not illus.	D 4-A 8213
1	Mud flap, offside (long), D 4/25	not illus.	D 4-A 8216
1	Mud flap, nearside (short), D 4/30	not illus.	D 4-A 8214
1	Mud flap, offside (long), D 4/30	not illus.	D 4-A 8213

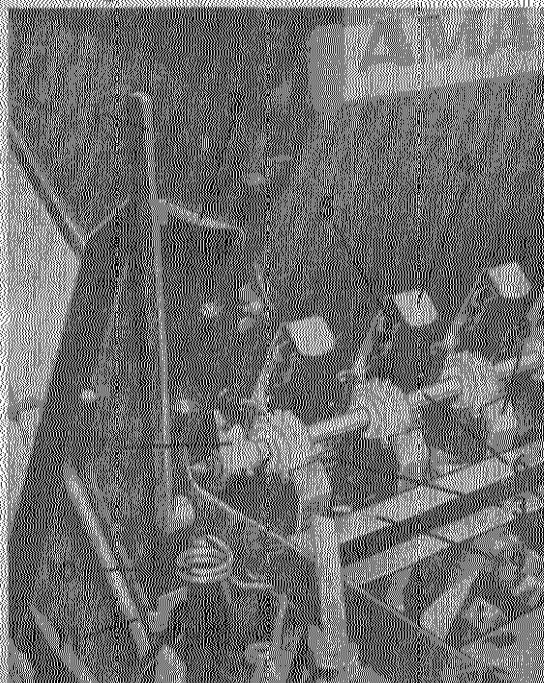


Diagram 2

Quantity per Machine	DESCRIPTION	ORDER NO.	
		Diagram No.	Part No.
2	Land Wheel complete	3/1	400-16
2	Rims c/w wheel disc	3/2	D4-B 201
2	Tyre	3/3	400x15
2	Inner tube	not illus	400x15
1	Nearside Land Wheel Hub c/w lug D 223	3/4	D4-B 2112
1	Nearside Bearing flange	3/5	D4-A 2114
1	Axis D4/25	3/6	D4-A 2117
1	Axis complete D4/25	3/6	D4-A 2118
1	Axis D4/30	3/6	D4-A 2119
1	Axis complete D4/30	3/6	D4-A 2120
1	Dist Plate	3/7	D4-A 2138
1	Offside Bearing flange	3/8	D4-B 2115
1	Dowel Pin	3/9	130x55
1	Offside Land wheel hub D 221	3/10	D4-B 2111
1	Expansion Pin	3/11	72x35
1	Trust washer 50/35 x 5	3/12	D4-A 2116
8	Pairs Laminated joints	3/13	2.007
2	Grooved ball bearing	3/14	607
1	Distance collar	3/15	-
1	Dowel Pin	3/16	187x45
1	Sprocket 12 teeth $1\frac{1}{2}'' \times \frac{1}{2}''$ (see illus No. 4/23)	3/17	D4-A 2117
3	Spacing washers 50/35	3/18	D4-A 2119
1	Coupling pin	3/19	D4-A 2118
1	Coupling Fork D 209	3/20	D4-A 2119
1	Tapered Pin	3/21	120x55

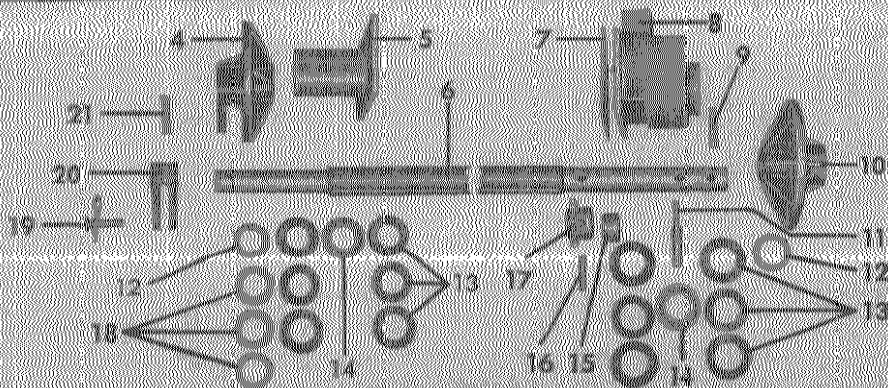


Diagram 3

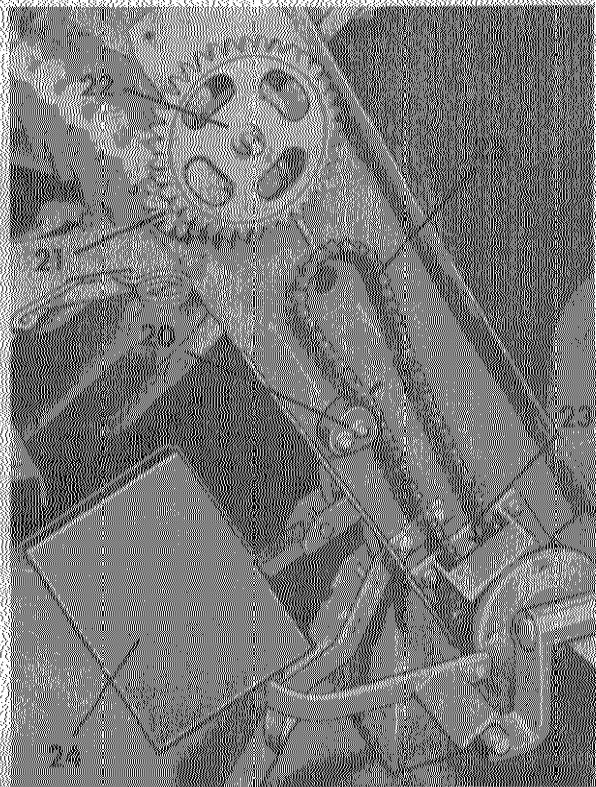
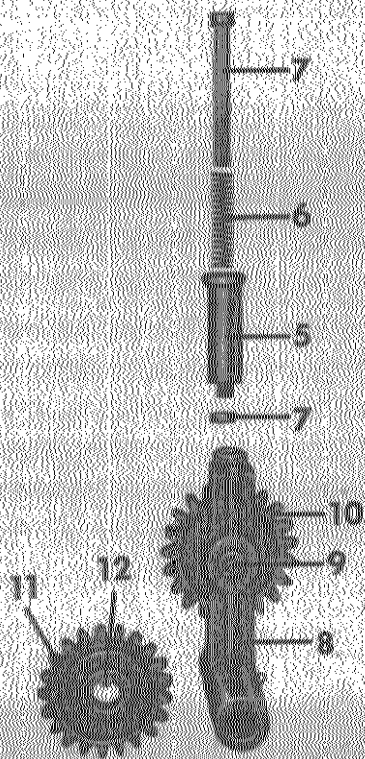
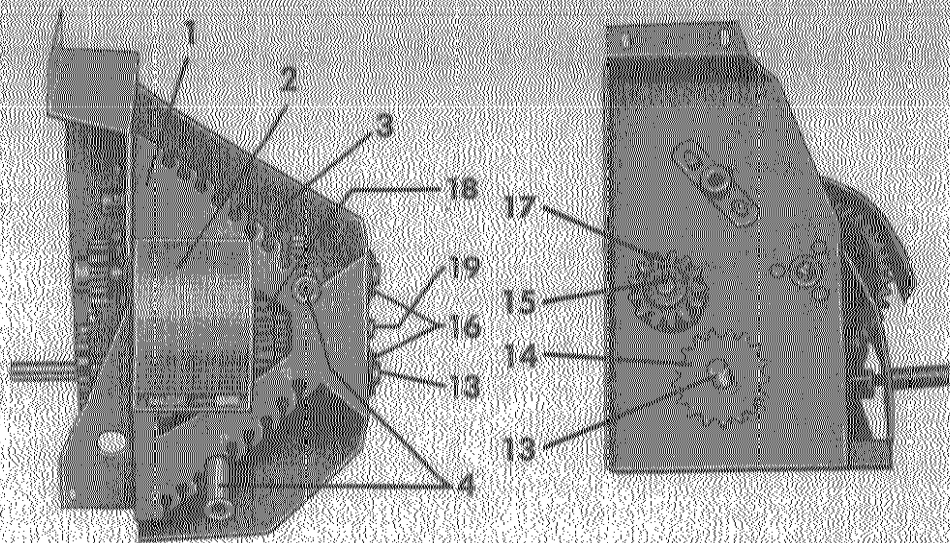


Diagram 4

Quantity per Machine	DESCRIPTION	ORDER NO.	
		Diagram No.	Part No.
1	Gear Box, complete	4/1	D 4-A 3111
1	Calibrations shaft	4/2	D 3-A 232
1	Gear box cover, complete	4/3	D 4-A 312
2	Adjusting handle, complete	4/4	D 4-A 313
2	Adjusting handle, grip D 166	4/5	D 3-A 212
2	Spring for adjusting handle grip	4/6	D 3-A 233
2	Nuts DIN 912	4/7	M8x90
2	Adjusting handle D 164 B	4/8	D 4-A 3131
2	Bolt for engaging sprocket	4/9	D 4-A 3132
2	Clamping sleeve	4/9	5.36 DIN 1481
2	Sprocket for adjusting handle D 153	4/10	D 3-A 211
2	Intermediate sprocket D 155 with key	4/11	D 3-A 2104
2	Key for intermediate sprocket	4/12	D 3-A 210
1	Input gear shaft	4/13	D 4-A 3141
1	Sprocket 5/8" x 3/8", 17 teeth, for 400x16 Tyres	4/14	D 4-A 3142
1	Sprocket 5/8" x 3/8", 15 teeth (for 500x16 Tyres)	4/14	D 4-A 3142.1
1	Output gear shaft	4/15	D 4-A 3143
4	Bearing D 161 A for gear shaft	4/16	D 4-A 3143
1	Sprocket D 158 13 Teeth	4/17	D 3-A 221
1	Gear cone D 157	4/18	D 3-A 208
1	Shaft for gear cone	4/19	D 4-A 3152
2	Bearings D 171 for gear cone	4/19	D 3-A 220
1	Chain tensioner	4/20	V 54-B 611
1	Sprocket D 151 b for Metering wheel shaft	4/21	D 4-A 3165
1	Double sprocket D 140	4/22	D 3-A 222
1	Sprocket 5/8" x 3/8" 12 teeth	4/23	D 4-A 3117
1	Chain guard	4/24	D 4-B 318
1	Roller chain 5/8" x 3/8", 69 links	4/25	Re-323
2	Cranked links	4/25	1 D-Re-323
1	Chain Fastener	4/25	1 E-Re-323

Quantity per Machine	DESCRIPTION	ORDER NO.	
		Diagram No.	Part No.
1	Agitator Shaft D 4/25	5/1	D 4-A 3161/1
1	Agitator Shaft D 4/30	5/1	D 4-A 3161
2	Agitator Shaft End bearing D 28 A (lateral)	5/2	D 4-A 3164
1-2	Agitator shaft bearing, middle, upper	5/3	D 3-A 130
1-2	Agitator shaft bearing, middle, lower	5/4	D 4-A 3162
1	Flange bearing for Agitator shaft D 505	5/5	D 4-A 3163
1	Sight Glass	5/6	D 4-B 4118 F

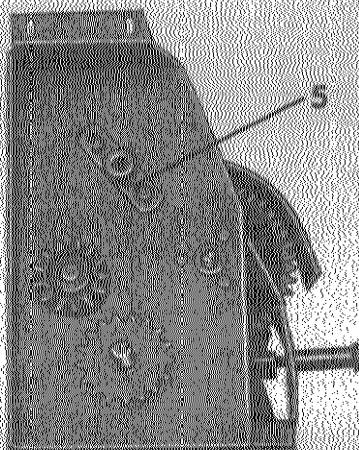
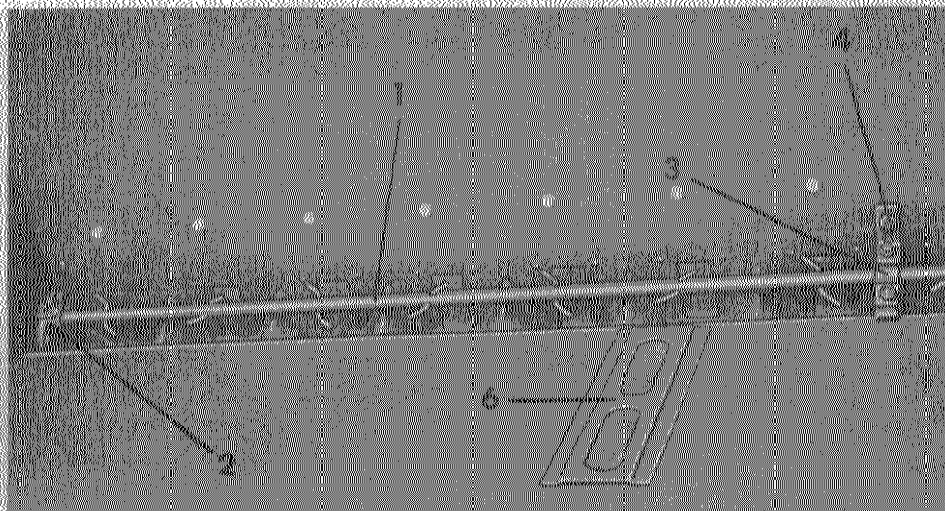


Diagram 5

Quantity per Machine	DESCRIPTION	ORDER NO.	
		Diagram No.	Part No.
15-21	Elite Metering wheel, complete	6/1	D 3-A 223/24
15-21	Normal Metering wheel	6/2	D 4-A 3186
15-21	Fine Metering wheel	6/3	D 4-A 3187
15-21	Set Screw for metering wheel M 8x9.5	6/4	D 3-B 228
15-21	Coupling pin	6/5	D 4-A 3174
15-21	Spring for fine metering wheel	6/6	D 3-A 227
15-21	Ball 4 mm. Ø	6/7	D 3-A 226

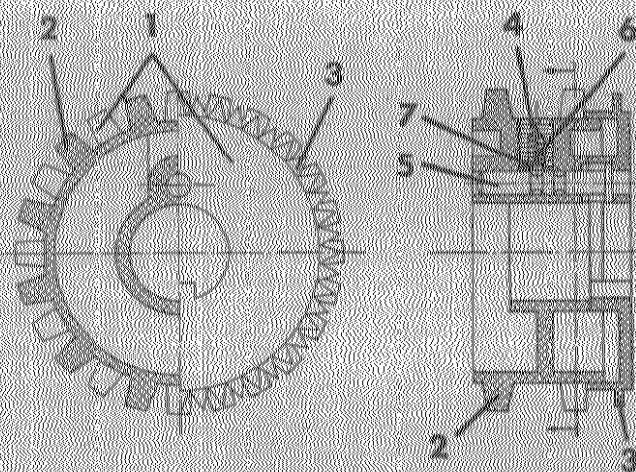


Diagram 6

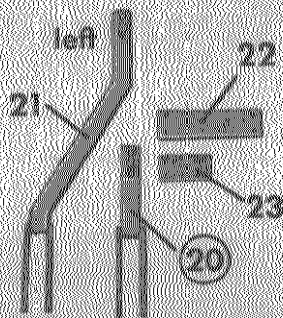
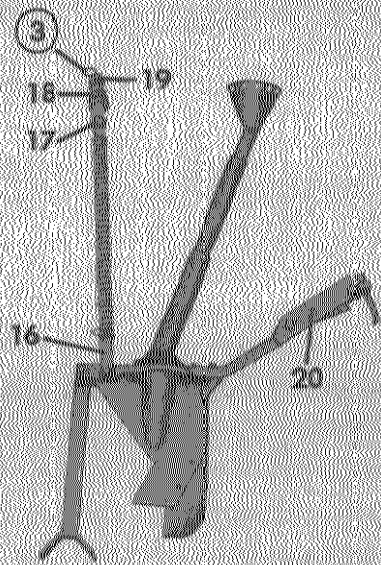
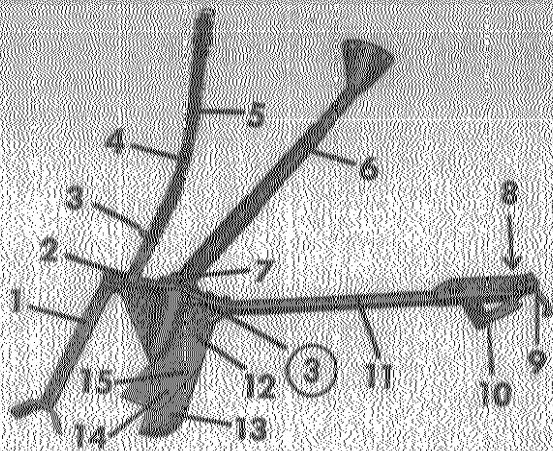


Diagram 7

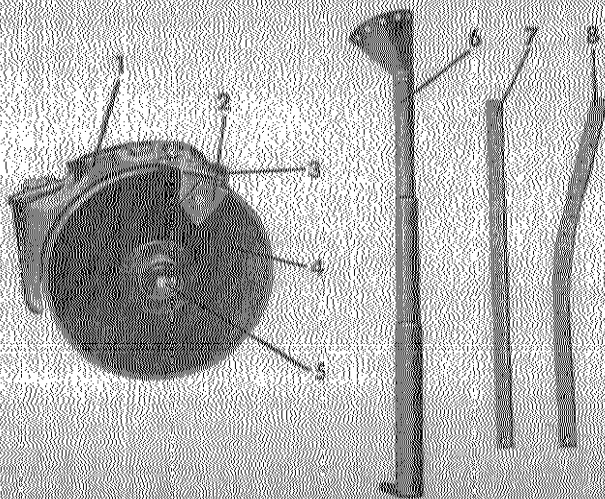


Diagram 8

Qty	Machine	DESCRIPTION	ORDER NO.	
			Diagram No.	Part No.
9-21		Coulters shift	7/1	D 4-A 521
9-21		Bolt for depth control bar	7/2	D 4-A 5183
1-63		Zinc coated spring clips	7/3	3 mm Ø
4-9		Curved depth control bar for long coulters	7/4	D 4-C 5182
9-21		Depth control tension spring	7/5	D 4-B 5192
9-21		Telescopic tubes	7/6	D 4-B 522
9-21		Mud caps for telescopic tubes	7/7	D 4-A 5226
9-21		Housing for jaw	7/8	D 4-B 5172
9-21		Hook bolt	7/9	D 4-B 5173
9-21		Coulters adjusting jaw D 200	7/10	D 4-C 5171
4-7		Long coulters beams	7/11	D 4-A 5121
9-21		Coulters boot	7/12	D 4-A 5111 f
9-21		Replaceable coulters edge D 206	7/13	D 4-A 5113
9-21		Counter sunk rivet	7/14	5x20
9-21		Counter sunk rivet	7/15	5x25
5-10		Straight depth control bar for short coulters	7/16	D 4-C 5181
9-21		Bolt for depth control bar	7/17	D 4-B 5193
9-21		Cushion spring for coulters (short)	7/18	D 4-A 5194
9-21		Zinc coated slotted washer	7/19	D 4-A 5195
5-10		Short coulters beams	7/20	D 4-A 5131 f
1		Cranked coulters beam, long, nearside	7/21	D 4-B 5141 f
1		Cranked coulters beam, long, offside	not illus.	D 4-B 5151
2		7" plate for offsetting short coulters	7/22	D 4-A 5163
2-4		3" plate for offsetting short coulters	7/23	D 4-A 5161

Diagram 8

9-21		Disc Shore support	8/1	D 4-A 911
8-42		Scraper, outer	8/2	D 4-A 9118
9-21		Scraper, inner	8/3	D 4-A 9119
8-42		Disc coulters s/w bearing	8/4	D 4-A 912
8-42		Dust cap	8/5	FY
a. 10		Telescopic tube Long	8/6	D 4-B 522/1
a. 10		Telescopic tube Short	Not illus.	D 4-B 522/2
a. 10		Short Straight Depth control bar	8/7	D 4-C 5181/1
a. 10		Short curved Depth control bar	8/8	D 4-C 5182/1

Quantity per Machine	DESCRIPTION	ORDER NO.	
		Diagram No.	Part No.
4	Wheel track eradicators - Spring line model	9/1	D 4-A 816
4	Wheel track eradicators - coiled spring line model	9/2	D 4-A 815
4	Wheel track eradicators, Duckfoot - 3 1/2" wide	9/3	D 4-A 81
2	Wheel track eradicators, Duckfoot - 6" wide	9/4	D 4-A 81/1
4	Wheel track eradicators, Chisel type	9/5	D 4-A 814
2	Duckfoot line, 6" wide	9/6	D 4-8115
4	Duckfoot line, 3 1/2" wide	9/7	WZ 745
2-4	Wheel track "break-away" shaft for 6" duckfoot line	9/8	D 4-A 8112
1-2	Wheel track "break-away" shaft for 3 1/2" duckfoot line	9/9	D 4-A 8113
2-4	Wheel track upper shaft	9/10	D 4-A 8111
4	Thumb screw	not illus.	D 4-B 813
2-4	Support for track eradicators	not illus.	D 4-A 818

Diagram 10

15-21	Double Spring line	10/1	D 4-A 6131
15-21	Pressure plate	10/2	D 4-A 6122
15-21	Frame bolts	10/3	D 4-A 6121
2	Spring for depth control rod	10/4	D 4-A 6135
2	Depth control rod	10/5	D 4-A 6132
2	Depth control rod support with 2 each 8 mm bolts and washers	10/6	D 4-B 6136
4	Zinc coated spring clips	10/7	5 mm Ø

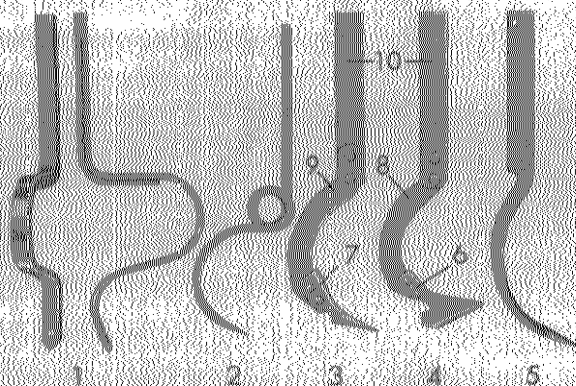


Diagram 9



Diagram 10