

MAHINDRA

T R A C T O R S

Parts Catalogue Mahindra 354 & 404



Cultivate
Your
Dreams™

FOREWORD

We are pleased to present 1st edition of the parts catalogue for our Mahindra 354 & 404 tractor.

This parts catalogue has been specially designed to meet user's requirement & expectation and deals exclusively with Engine, Power steering, Sheet Metal, Electrical and Hydraulic components fitted on our Mahindra 354 & 404 tractor.

The parts catalogue will help you in ordering parts and also will give an idea of assembly sequence.

We have taken utmost care in developing this catalogue and we sincerely believe that our patron's will find this book useful.

We will be happy to receive suggestions, if any, on this catalogue.

Index

Aggregate	Sub Aggregate	Description
Throttle Linkages	Section :	Clutch
Throttle Linkages	Section :	Throttle Controls & Linkages 1-2
Clutch	Section :	Clutch Pedal and Linkage 3-4
Clutch	Section :	Clutch Pedal & Connections 5-6
Front Axle	Section :	Front Axle 7-12
Front Axle	Section :	Differential and Bracket 13-18
Power Steering	Section :	PSU, Steering Wheel, Steering Cylinder and Pplings 19-22
Transmission	Section :	Transmission
Transmission	Section :	Front Hpusing, F-R Shifter and Speed Shifter Mechanism 23-28
Transmission	Section :	Transfer Case and Drive Shaft 29-34
Transmission	Section :	Power Take Off 35-38
Differential	Section :	Differential Housing and Levers 39-42
Differential	Section :	Differential Gears and Shaft 43-44
Rear Axle	Section :	Rear Axle 45-46
Brakes	Section :	Brakes
Brakes	Section :	Disc Brakes 47-50
Brakes	Section :	Brake Pedal and Solid Linkages 51-54
Wheels and Tires	Section :	Wheels and Tires
Wheels and Tires	Section :	Wheels and Tires 55-56
Seat and ROPS	Section :	Seat and ROPS
Seat and ROPS	Section :	Seat 57-58
Seat and ROPS	Section :	Safetng Frame (ROPS) 59-60
Sheet Metal & Electrical System	Section :	Sheet Metal & Electrical System
Hood and Instrument Panel	Section :	Hood and Instrument Panel 61-64

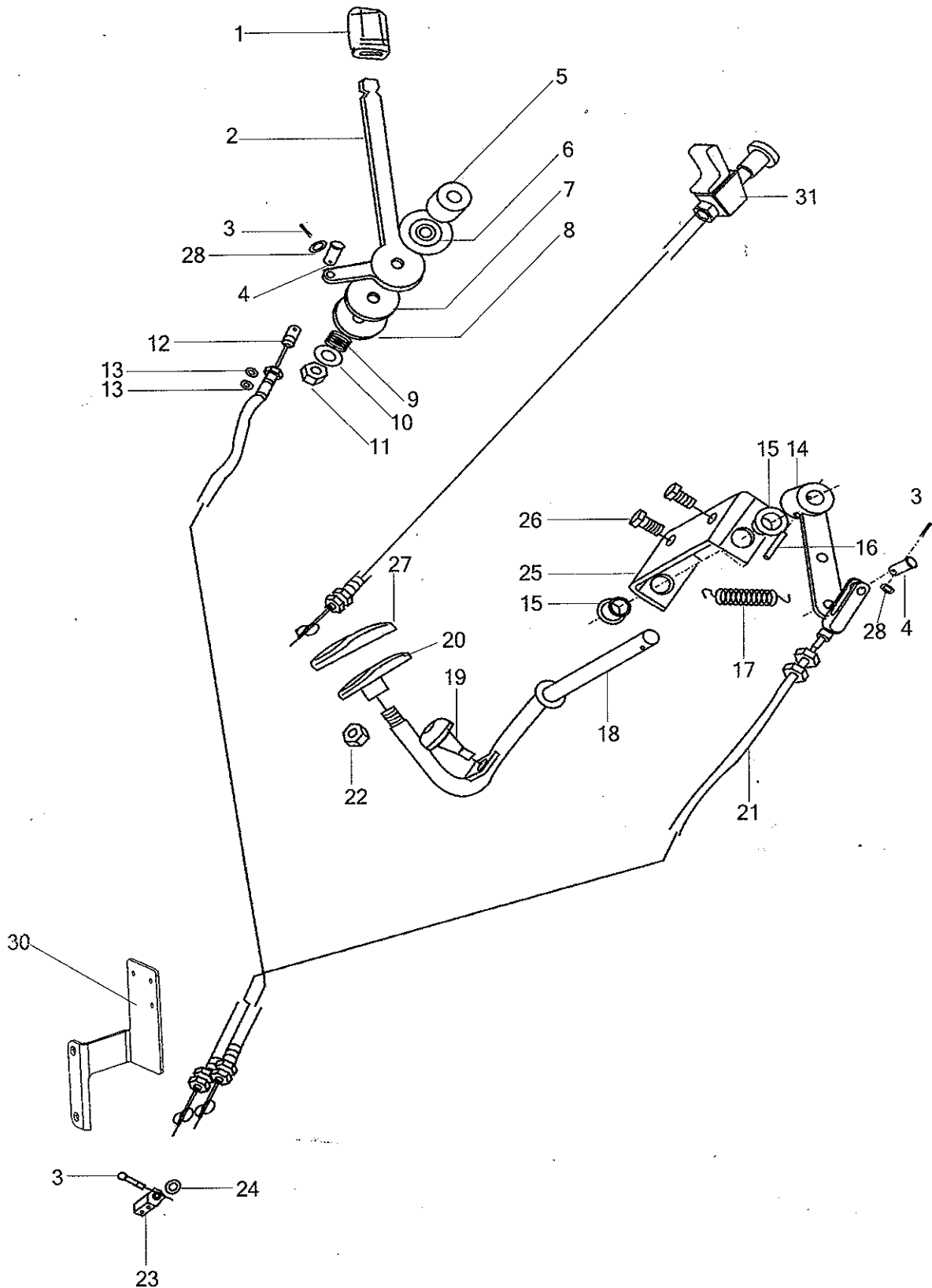
Index

Section :		Sheet Metal & Electrical System	
Sheet Metal & Electrical System	Floor And Fenders.....	65-68	
	Fuel Tank.....	69-70	
	Stickers.....	71-72	
	Electric System.....	73-74	
Section :		Hydraulics	
Hydraulics & Three Point Linkage	Hydraulic Lift	75-76	
	Three Point Linkage.....	77-78	
	Hydraulic Pump & Pipes	79-80	
	Remote Hydraulic Control System	81-82	
Section :		Attachments	
Attachments	Drawbar	83-84	
	Front tow hook.....	85-86	
Section :		Engine	
Engine	Cylinder Head Cover Assembly.....	87-88	
	Cylinder Head Assembly.....	89-90	
	Cylinder Block and Gear Case Assembly	91-94	
	Timing Gear Train	95-96	
	Piston and Connecting Rod Assembly.....	97-98	
	Crankshaft and Flywheel Assembly.....	99-100	
	Valve Timing Mechanism	101-102	
	Water Pump and Colling Assembly	103-104	
	Oil Sump Assembly	105-106	
	Lubricating Oil Pump Assembly.....	107-108	
	Fuel System	109-110	
	Oil Suction Strainer Assembly.....	111-112	
	Tension Pulley Assembly.....	113-114	
	Air Intake Assembly	115-116	
Exhaust Mauifold and Silencer	117-118		
Oil Filter /Generator /Starting Motor	119-120		

THROTTLE LINKAGES

120-
118-
116-
114-
112-
110-
108-
106-
104-
102-
100-
98-
96-
94-
90-
88-
5
1

Throttle Controls & Linkages

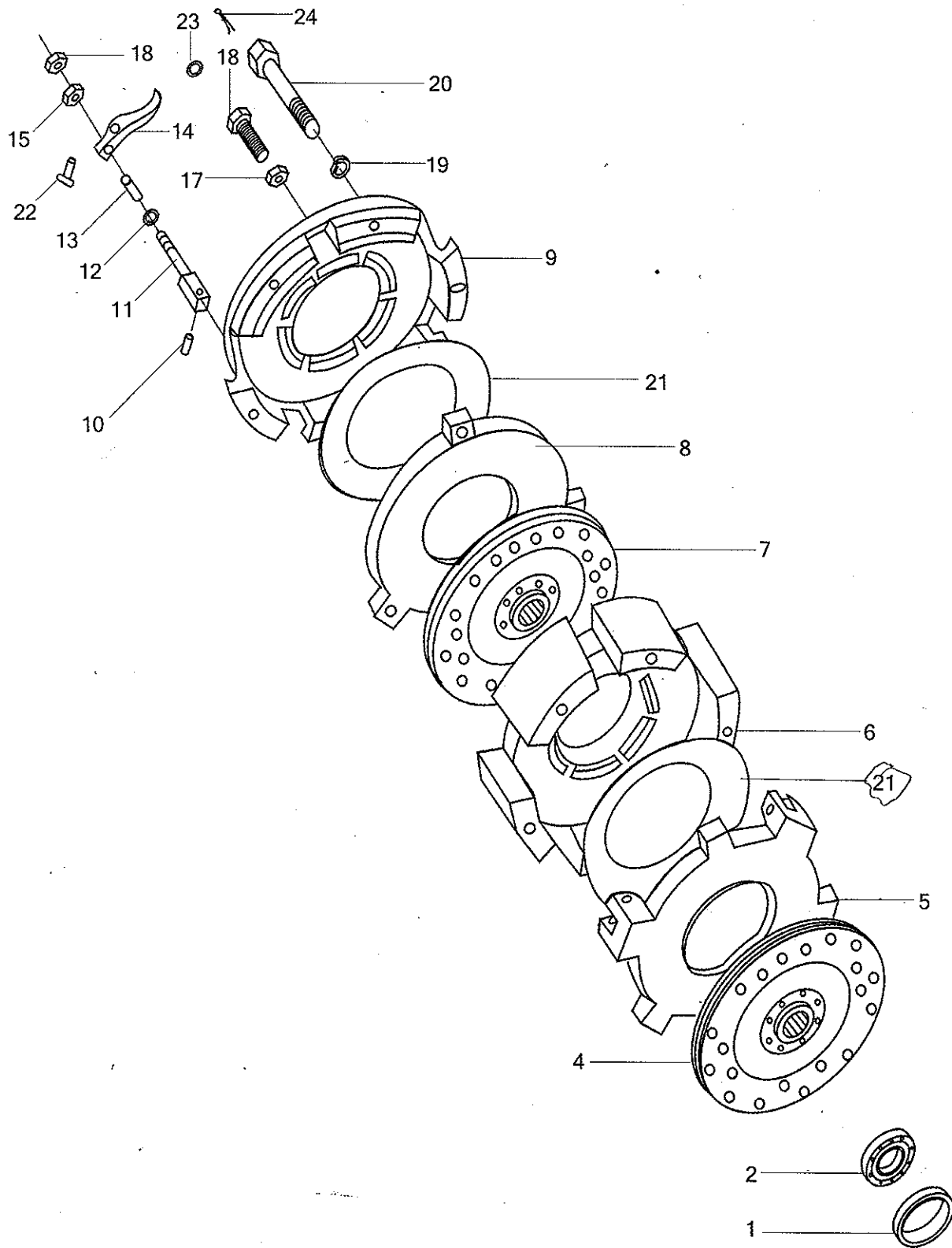


Throttle Controls & Linkages

MUSA Part Number	Ref.	Description of Part	Unit	Remarks/ Service Bulletin No.
			Quantity	
9200323BBA	1	Handle	1	
9201322BBA	2	Lever	2	
GB/T91 2x20	3	Pin	3	
GB/T882 B5x18	4	Pin	2	
9200326BBA	5	Washer	1	
9200324BBA	6	Washer	1	
9200321BBA	7	Disc	1	
GB/T5287 12	8	Washer	1	
9200325BBA	9	Spring	1	
GB/T97.1 12	10	Washer	1	
GB/T6185 M12	11	Nut	1	
9200021BBA	12	Cable	1	
GB/T97.1 8	13	Washer	2	
9200024BBA	14	Arm	1	
9200202BBA	15	Bush	2	
GB/T879 4x25	16	Pin	2	
9200103BBB01	17	Spring	1	
9200022BBA01	18	Bracket	1	
9200201BBA	19	Bush	1	
9200023BBA01	20	Pedal	1	
9200021EFA	21	Cable	1	
GB/T41 M12	22	Nut	1	
9200101BBS	23	Shaft	1	
GB/T848 6A	24	Washer	1	
9472107BBA	25	Foot throttle Support	1	
GB/T5780 M8x16	26	Bolt	2	
9200101BBB	27	Pedal shield	1	
GB/T97.1 12	28	Washer	2	
9200115BBS	29	Eccentricity wheel	1	
9200101EUE	30	Support plate	1	
9200040BBS02	31	Flameout cable	1	

CLUTCH

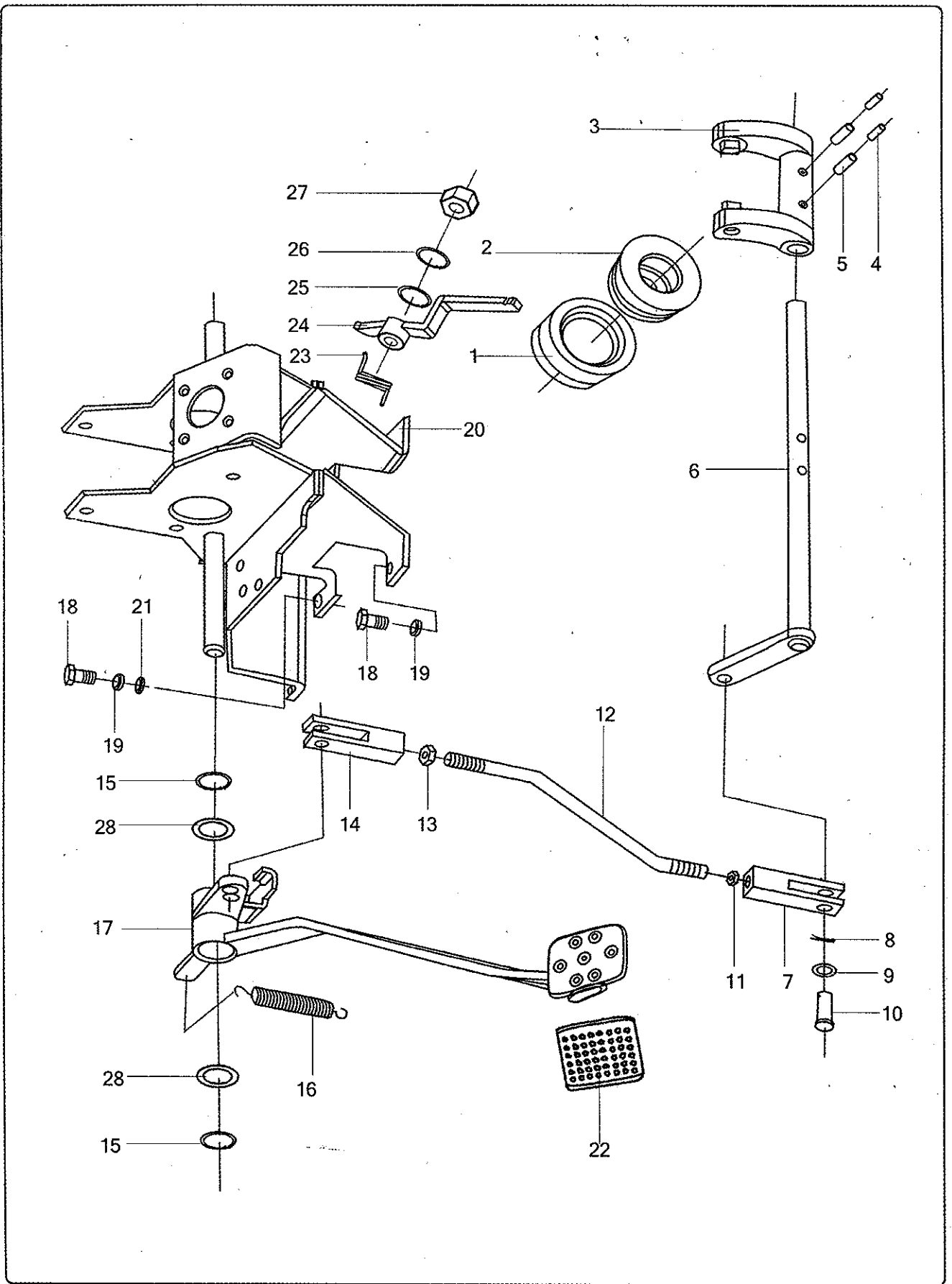
Clutch Pedal and Linkage



Clutch Pedal and Linkage

Remarks/ Service Bulletin No.	Unit Quantity	Description of Part	Ref.	Part Number	
				Ref.	Part Number
	1	Spacer kavarkata	1	9210106BAA	
	1	Bearing csapdaqy 102x46x22	2	60203 GB/T276-1994	
	1	Clutch Semi Assy Consists of:	3	9210020BBS	
	1	Plate ta yer	4	9210030BBS	
	1	Plate ta yer	5	9210202BBD	
	1	Seat ules	6	9210203BBD	
	1	Plate ta yer	7	9210022BBS	
	1	Plate ta yer	8	9210204BBD	
	1	Cover boroda	9	9210205BBD	
	3	Pin tu csapdaqy	10	GB/T119.1 10u8x45	
	3	Rod casp	11	9210209BBD	
	3	Washer mora 2i odat	12	GB/T97.1 10	
	3	Spring kavarkata 2i	13	9210207BBD	
	3	Lever kavarkata 110 to 12	14	9210021BBD	
	3	Nut dia	15	9210206BBD	
	3	Nut dia	16	GB/T6170 M10x1	
	3	Nut dia	17	GB/T6170 M8	
	3	Screw cavarar	18	9210208BBD	
	6	Washer odat	19	GB/T93 10	
	6	Bolt cavarar	20	GB/T5782 M10x10	
	2	Spring nyomda	21	9210201BBD	
	3	Pin caspdaqy	22	GB/T882 B10x45	
	3	Washer odat	23	GB/T848 10	
	3	Pin caspdaqy	24	GB/T91 3.2x20	

Clutch Pedal & Connections



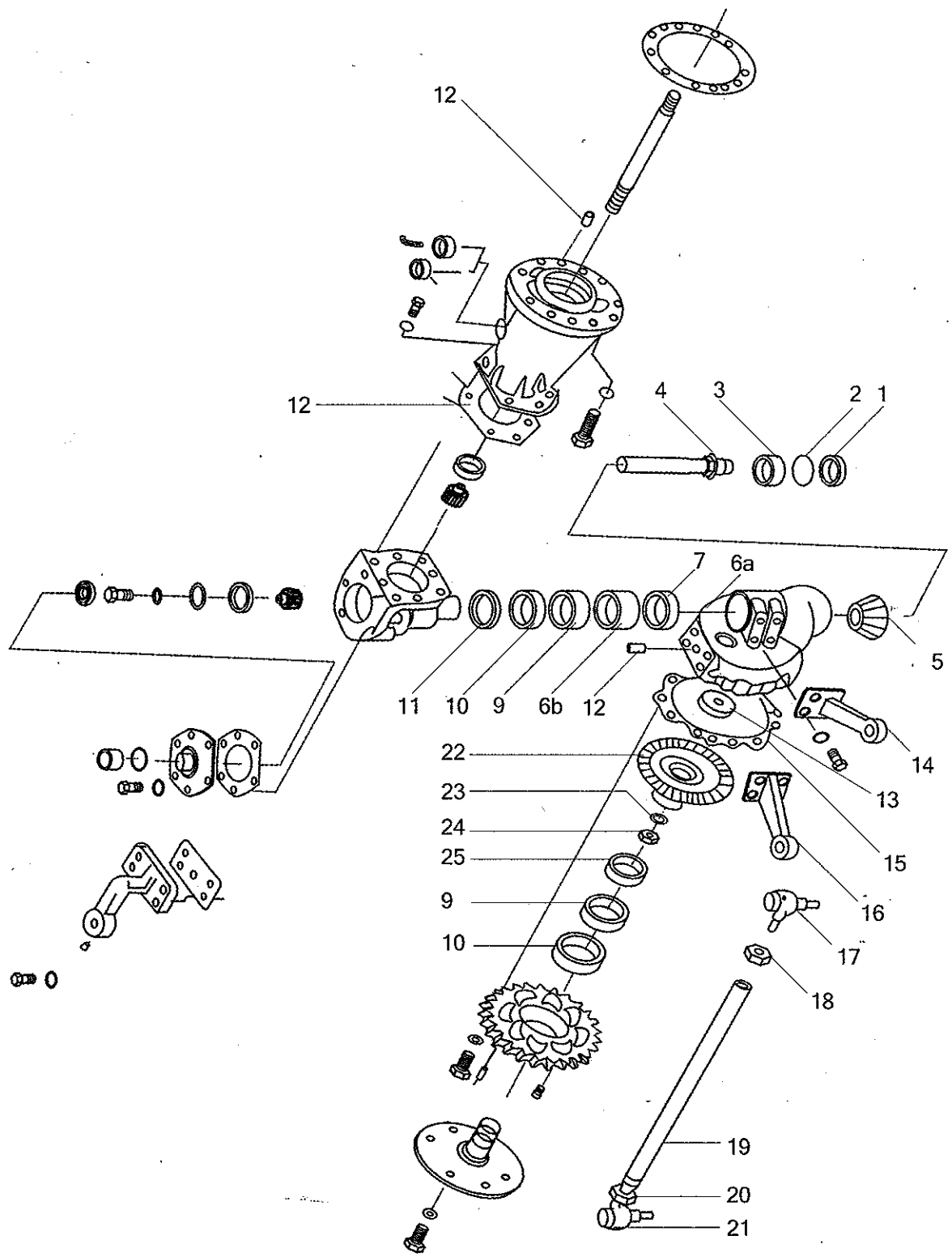
Clutch Pedal & Connections

MUSA Part Number	Ref.	Description of Part	Unit	Quantity	Remarks/ Service Bulletin No.
9210090BB	1	Bearing <i>carpenter</i>		1	
9210109BB	2	Seat <i>haha</i>		1	
9210701BB	3	Fork <i>with 188</i>		1	
GB/T879.1 5x35	4	Pin		2	
GB/T879.1 8x35	5	Pin		2	
9210050BBB01	6	Shaft		1	
9210107BBA01	7	Clevis (R)		1	
GB/T91 3.2X24	8	Pin		2	
GB/T97.1 14	9	Washer		2	
GB/T882 14x35	10	Pin		2	
GB/T6170 M14	11	Nut		1	
9210108BBA	12	Rod		1	
GB/T6170 M14-L	13	Nut (L)		1	
9210106BBA01	14	Clevis (L)		1	
GB/T894.1 30	15	Circlip		2	
9210107AAA	16	Spring		1	
9210060BBS01	17	Arm		1	
GB/T5783 M10x20-8.8	18	Screw		4	
GB/T93 10	19	Washer		4	
9210040EUE	20	Bracket		1	
GB/T97.1 10	21	Washer		2	
9210110BBB	22	Jacket pedal		1	
9430132BBS	23	Park spring		1	
9430370BBS	24	Hand brake lever CPTe		1	
GB/T97.1 16	25	Washer		1	
GB/T97.1 10	26	Washer		1	
GB/T6170 M10	27	Nut		1	
9430125BBB	28	Washer		2	

CH/02/F08/07

Front Axle

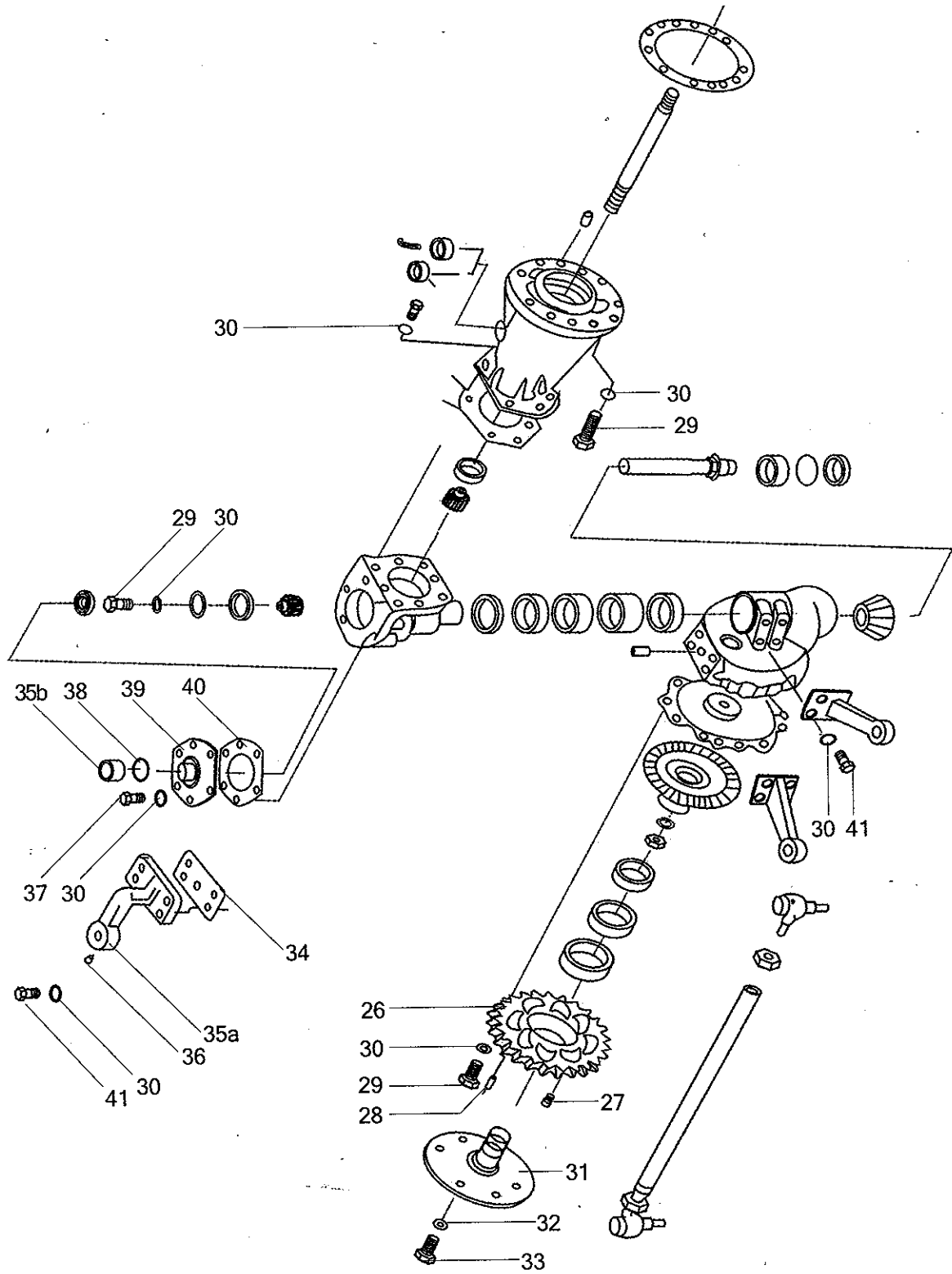
Front Axle



Front Axle

Part Number	Ref.	Description of Part	Unit	Remarks/ Service Bulletin No.
			Quantity	
9311090ABA	1	Cover	2	
GB/T893.1 62	2	Ring	2	
6305 GB/T276-1994	3	Bearing	2	
9311106ABA	4	Shaft	2	
9311111ABA	5	Gear	2	
9311040ABA	6	House and sleeve consists of:	1	
9311401ABA	6a	←House (L)	1	
9311402ABA	6b	←Sleeve	1	
GB/T301 8106	7	Bearing	2	
9311050BBD	8	House and sleeve consists of:	1	
9311501BBD	8a	←House (R)	1	
9311402ABA	8b	←Sleeve	1	
B50x72x12-F GB/T9877.1	9	Seal	4	
FB50x72x7-F GB/T9877.1	10	Seal	4	
9311114ABA	11	Packing	2	
GB/T119.2 10x20	12	Pin	2	
6206 GB/T276-1994	13	Bearing	2	
9311118ABA	14	Arm (L)	1	
9311115ABA	15	Gasket	A.R	
9311119ABA	16	Arm (R)	1	
9310082AAA	17	Joint (R)	1	
GB/T6173 M6x1.5	18	Nut	1	
9311080BBD	19	Rod	1	
GB/T6173 M6x1.5-L	20	Nut	1	
9310081AAA	21	Joint (L)	1	
9311105ABA	22	Gear	2	
GB/T858 39	23	Clip	2	
GB/T812 M39x1.5	24	Nut	2	
6208 GB/T 276-1994	25	Bearing	2	

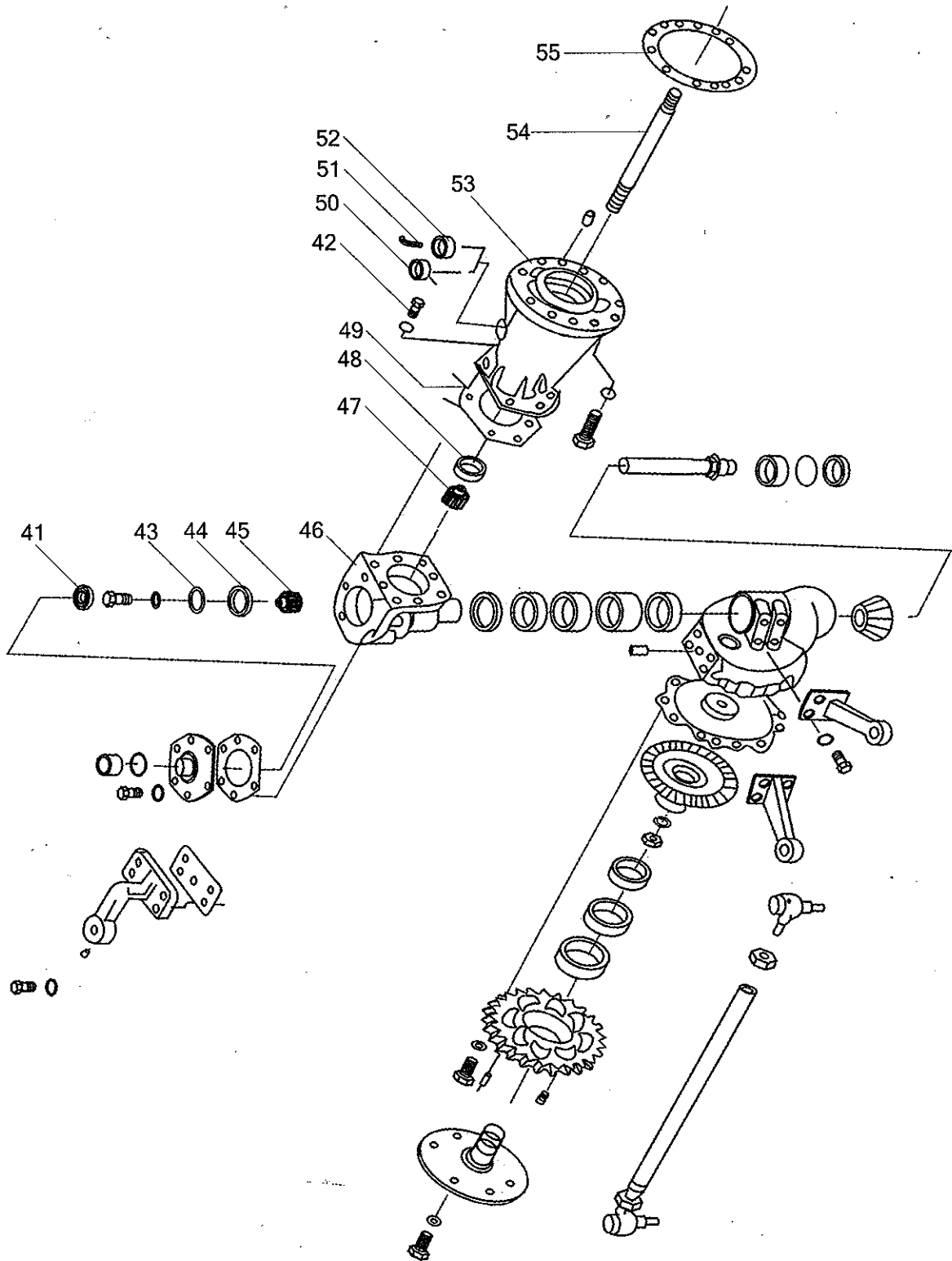
Front Axle



Front Axle

Part Number	Ref.	Description of Part	Unit	Remarks/ Service Bulletin No.
			Quantity	
9311104ABA	26	Cover	2	
ZB.T32.001.4 1/2	27	Plug	2	
GB/T119.1 D8x20	28	Pin	4	
GB/T5783 M10x28-10.9	29	Bolt	42	
GB/T93 10	30	Washer	84	
9311135BBD	31	Shaft	2	
GB/T93 14	32	Washer	10	
GB/T5783 M14	33	Screw	10	
9311131ABA	34	Gasket	A/R	
9311070ABA	35	Arm Assy Consists of:	2	
9311601ABA	35a	← Arm	2	
9311701ABA	35b	← Bush	2	
M6 JB/T7940.1	36	Nipple	2	
GB/T5783 M10x25	37	Screw	12	
41x3.5 GB1235	38	Seal	2	
9311110ABA	39	Cover	2	
9311116ABA	40	Gasket	2	
GB/T5783 M10x28-10.9	41	Bolt	16	

Front Axle

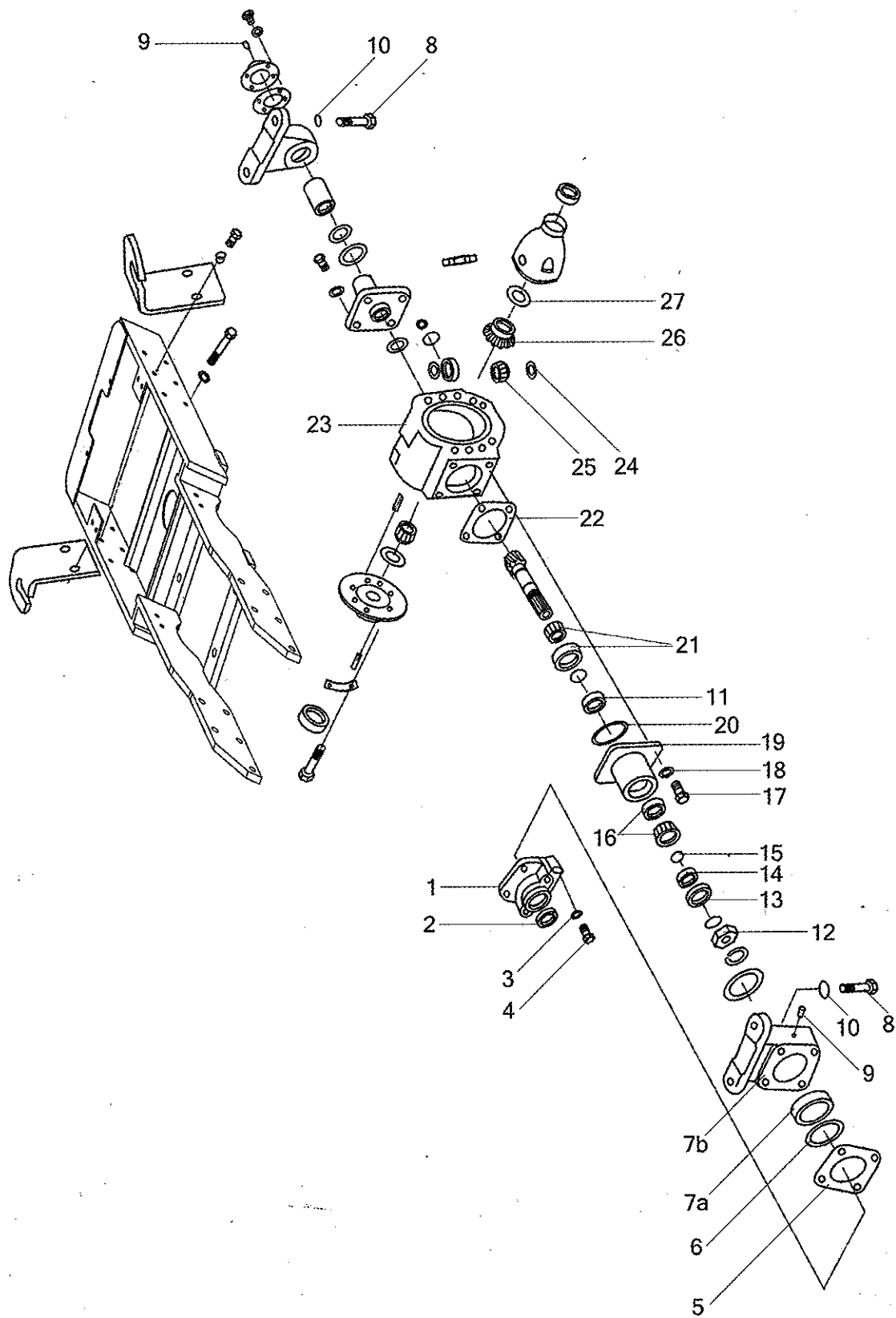


61
GE
93
93
93
93
93
62
93
93
93
93
93
93
93
93
93

Front Axle

Part Number	Ref.	Description of Part	Unit	Remarks/ Service Bulletin No.
			Quantity	
6110 GB/T276-1994	41	Bearing	2	
GB/T5783 M10X30-8.8	42	Screw	12	
9311117ABA	43	Ring	2	
9311132ABA	44	Gasket	A/R	
9311107ABA	45	Gear	2	
9311103ABA	46	Tube	2	
9311108ABA	47	Gear	2	
6207 GB/T276-1994	48	Bearing	2	
9311123ABA	49	Washer	2	
9312050ABA	50	Dipstick	1	
9311120ABA	51	Tube	1	
9311130ABA	52	Plug	1	
9311102BBD	53	Housing	2	
9311109BBD	54	Shaft	2	
9311122ABA	55	Gasket	2	

Differential and Bracket

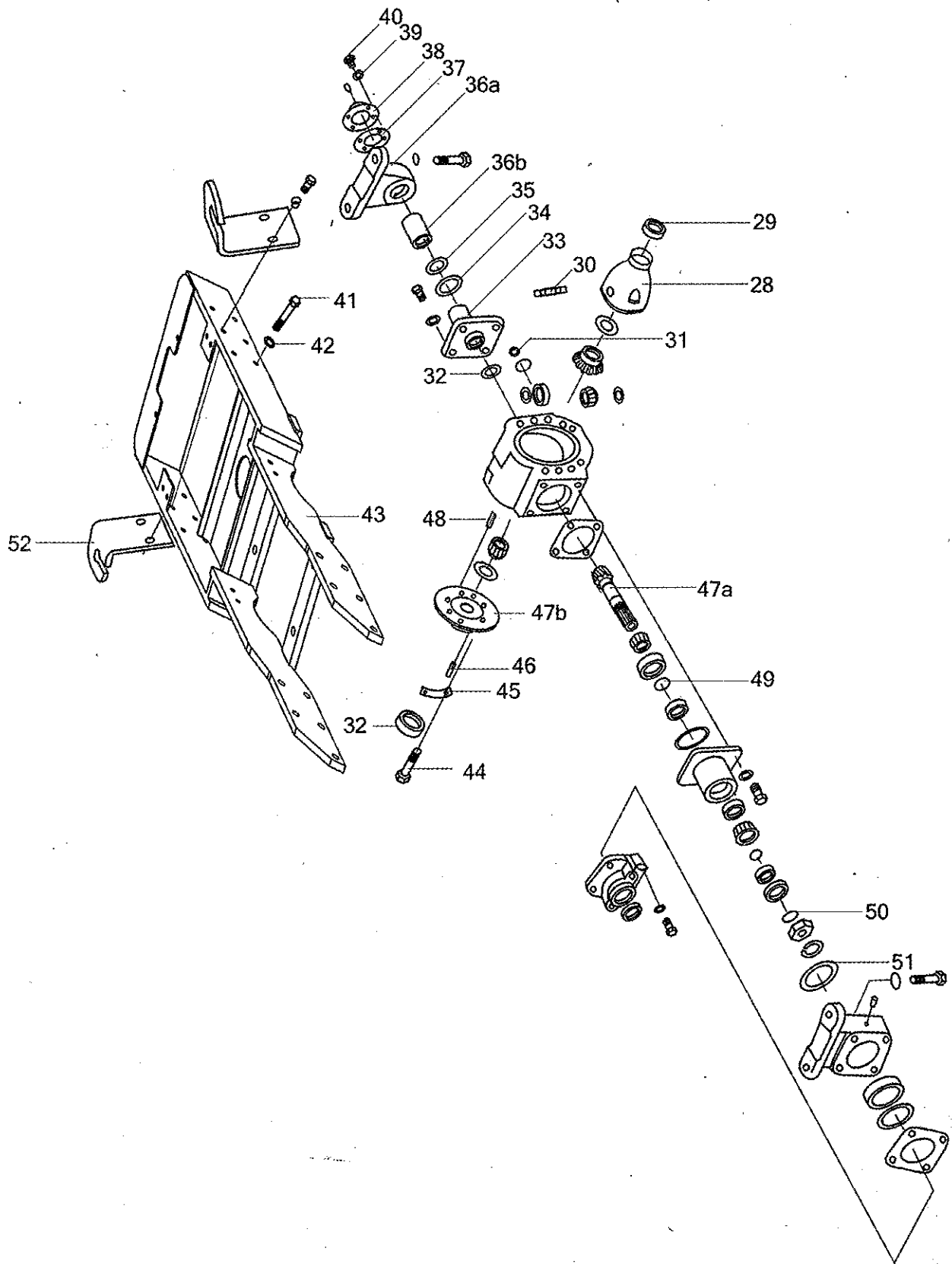


- 9311
- GB/1
- GB/T
- GB/T
- 9311
- GB12
- 93120
- 93124
- 93124
- GB/T
- M10x
- GB/T
- 93113
- GB/T8
- FB35x
- 93113
- 28x3.1
- 32006
- GB/578
- GB/T9
- 93113
- 85x3.1
- 31306
- 931112
- 931110
- 931120
- 931120
- 931120
- 931120

Differential and Bracket

Part Number	Ref.	Description of Part	Unit	Quantity	Remarks/ Service Bulletin No.
9311129BBD	1	Cover		1	
GB/1235 40x3.5	2	Seal		2	
GB/T 93 8	3	Washer		4	
GB/T5783 M8x30	4	Screw		4	
9311128ABA	5	Gasket		1	
GB1235 75x3.1	6	Seal		1	
9312040BBD	7	Bracket and Bush Consists of:		1	
9312402ABA	7a	↳ Bush		1	
9312401BBD	7b	↳ Bracket		1	
GB/T5782 M16x55	8	Screw		6	
M10x1 JB/T7940.2	9	Nipple		2	
GB/T93 16	10	Washer		4	
9311305ABA	11	Spacer		1	
GB/T810 M27x1.5	12	Nut		1	
FB35x56x12-F GB/T9877.1	13	Seal		1	
9311303ABA	14	Seat		1	
28x3.1 GB1235	15	Seal		1	
32006 GB/T297-1994	16	Bearing		1	
GB/5783 M12x28-8.8	17	Screw		6	
GB/T93 12	18	Washer		24	
9311301ABA01	19	Retainer		1	
85x3.1 GB1235	20	Seal		1	
31306 GB/T297-1994	21	Bearing		1	
9311121ABA	22	Shims	A/R	1	
9311101ABA01	23	House		1	
9311203ABA	24	Washer		2	
9311204ABA	25	Gear		2	
9311208ABA	26	Gear		2	
9311202ABA	27	Washer		2	

Differential and Bracket

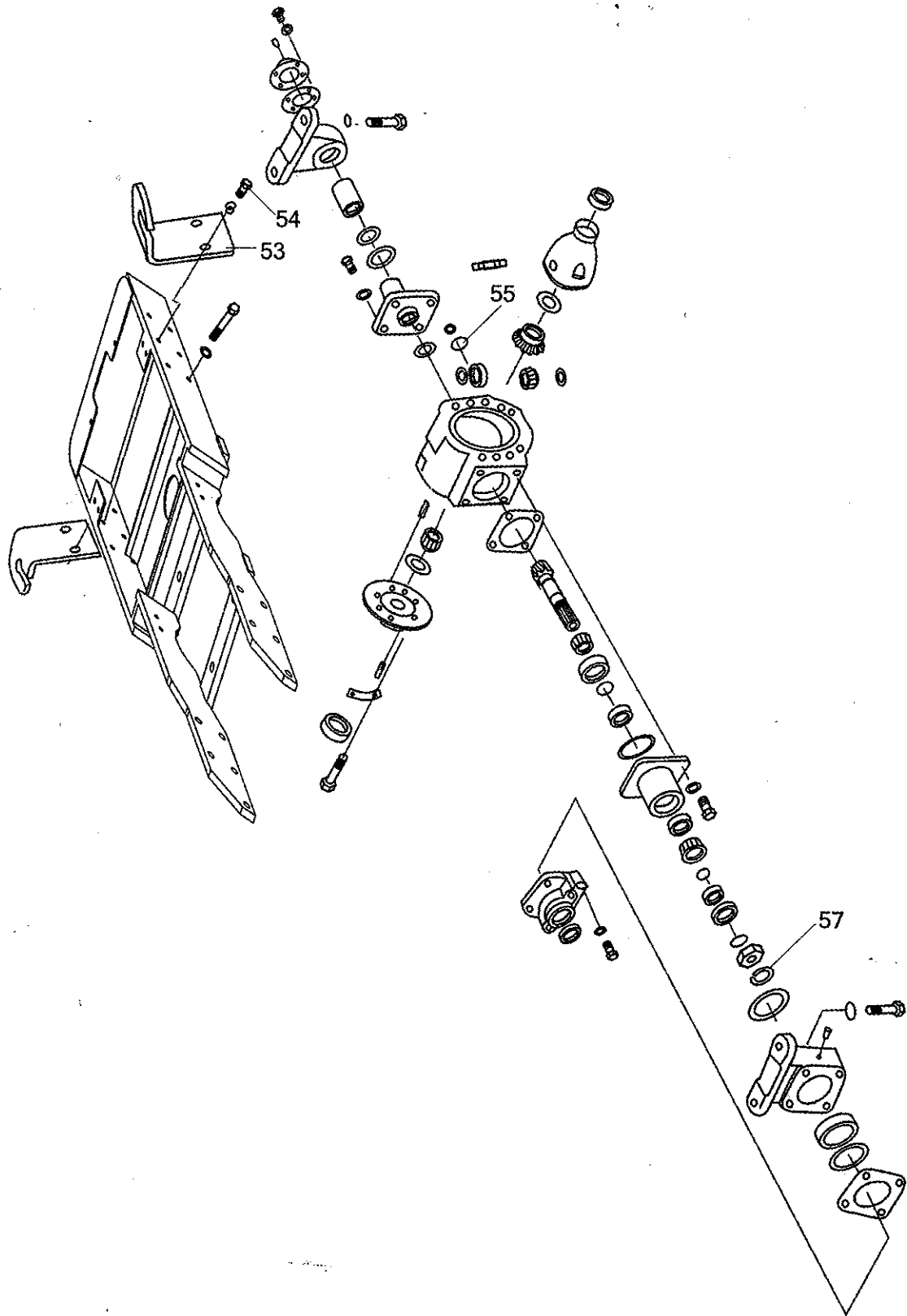


93
32
93
95
35
93
93
70
93
93
93
93
93
GE
GE
GE
GB
93
GB
931
GB
931
931
GB
931
931
90x
931

Differential and Bracket

Part Number	Ref.	Description of Part	Unit	Remarks/ Service Bulletin No.
			Quantity	
9311201ABA	28	House	1	
32009 GB/T297-1994	29	Bearing	2	
9311205ABA	30	Shaft	1	
9550103AAA	31	Plug	1	
35x3.1 GB1235	32	Seal	1	
9311125ABA	33	Shaft	1	
9311126ABA	34	Shims	A.R	
70x3.1 GB1235	35	Seal	1	
9312020BBD	36	Bracket Consists of:	1	
9312201BBD	36a	→Bracket	1	
9312202ABA	36b	→Bush	1	
9311127ABA	37	Washer	1	
9312030ABA	38	Cover	1	
GB/T93-1987 6	39	Washer	4	
GB/T5783 M6x12-8.8	40	Screw	4	
GB/T5783 M12x40-8.8	41	Screw	11	
GB/T93 12	42	Washer	11	
9310090EUE	43	Bracket	1	
GB/T5783 M8x25-10.9	44	Screw	4	
9311207ABA	45	Lock Washer	2	
GB/T119-86 8gax14	46	Pin	1	
‡	47	Double Gear Consists of:	1	
9311302ABA01	47a	→ Gear	1	
9311206ABA	47b	← Gear	1	
GB/T119-86 8gax35	48	Pin	1	
9311306ABA	49	Shims	A.R	
9311307ABA	50	Shims	A.R	
90x3.1 GB1235	51	Seal	1	
9310114EUE	52	Bracket (R)	1	

Differential and Bracket



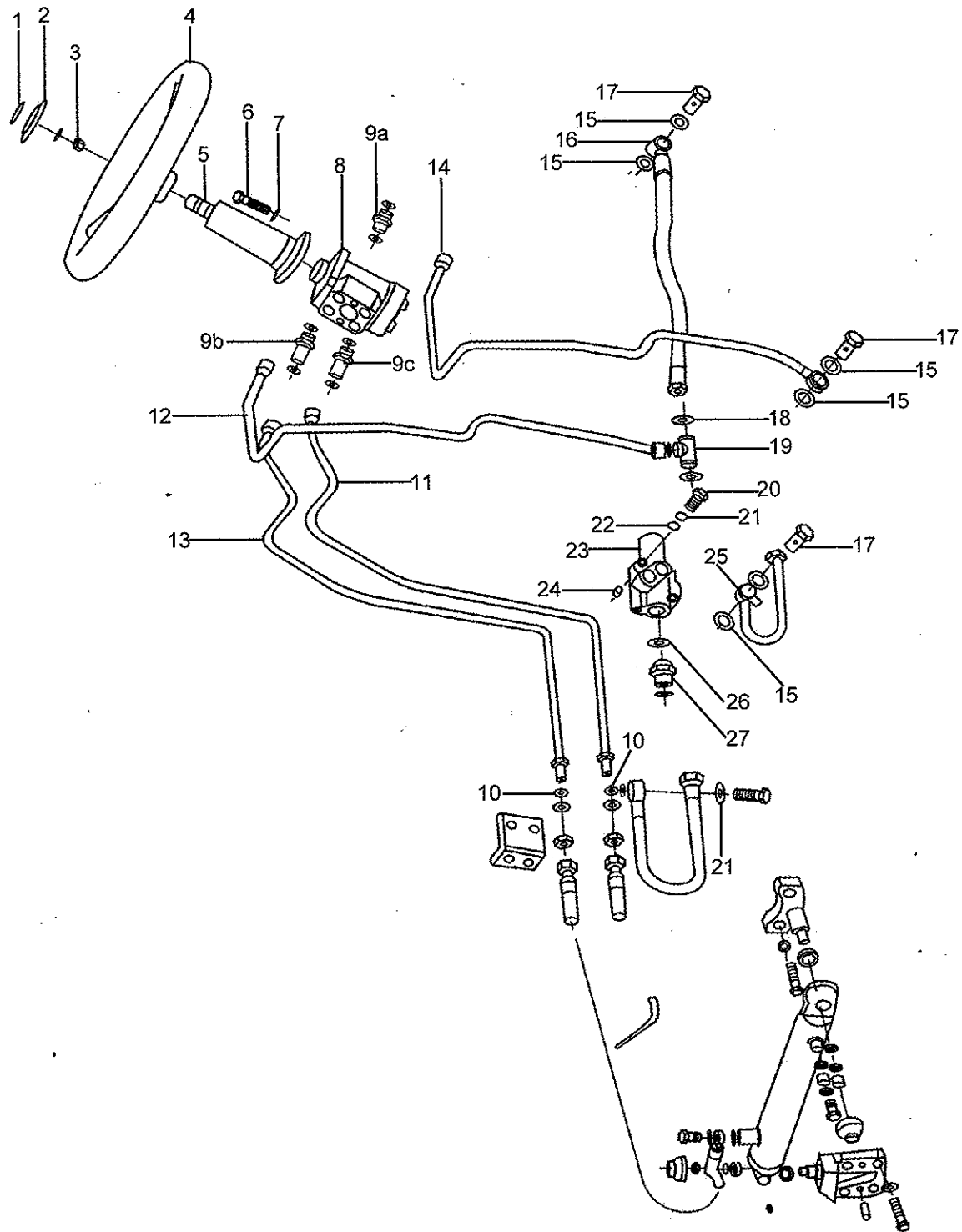
931
GB
14-
GB

Differential and Bracket

Remarks/ Service Bulletin No.	Unit Quantity	Description of Part	Ref.	Part Number
	1	Bracket (L)	53	9310117EUE
	4	Screw	54	GB/T5783 M8x35
	1	Washer	55	14-T JB/T1002
	1	Washer	57	GB/T858-88 27

Description

PSU, Steering Wheel, Steering Cylinder and pipings

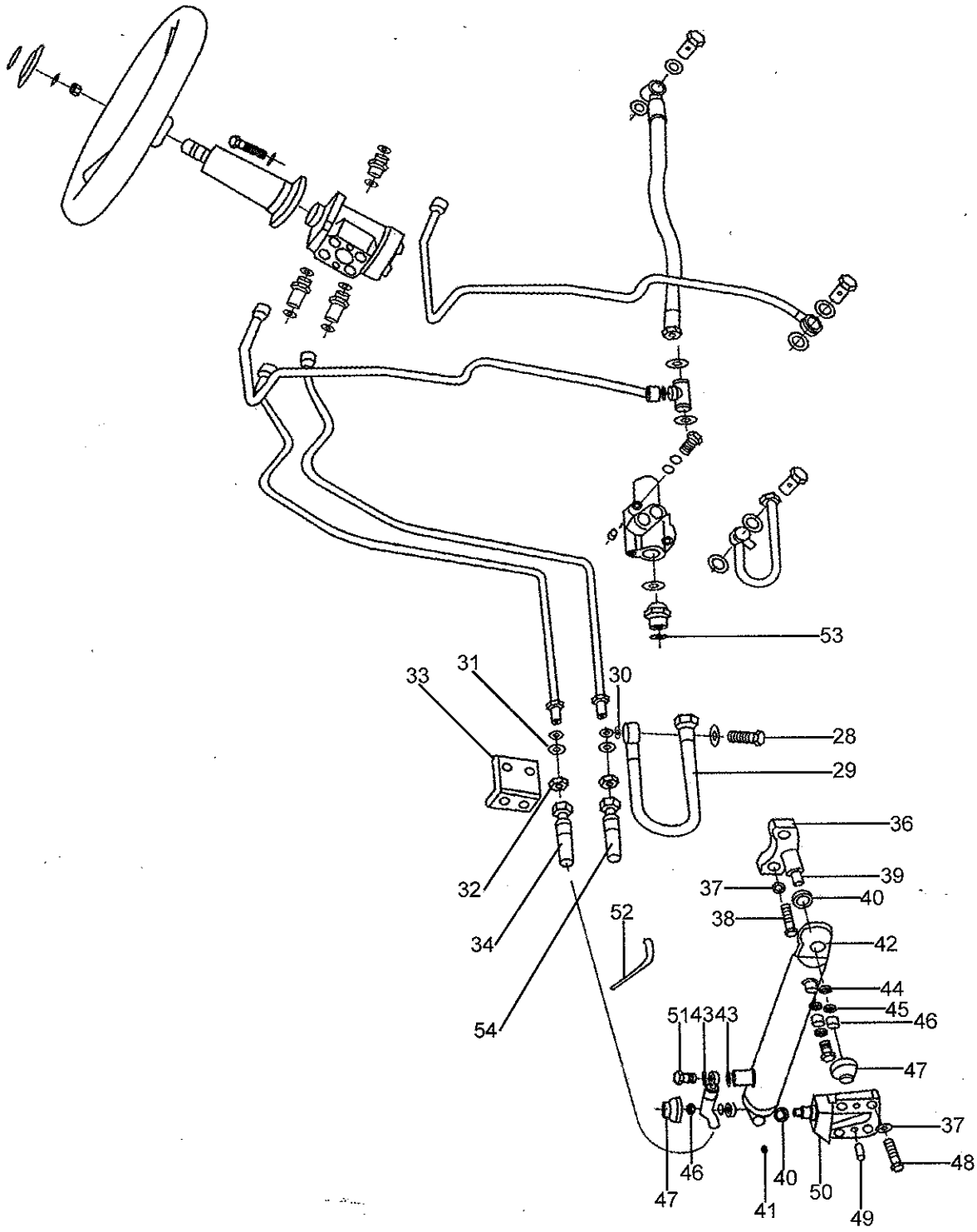


9
9
G
9
9
G
G
B
94
94
94
14
94
94
94
94
20
94
95
16
14
GB
GB
FLD
940
940
24
958

PSU, Steering Wheel, Steering Cylinder and Pippings

Part Number	Ref.	Description of Part	Unit	Remarks/ Service Bulletin No.
			Quantity	
9400301AAA	1	Sticker	1	
9400302BBB	2	Cover	1	
GB/T6173 M16x1.5	3	Nut	1	
9400030BBB01	4	Wheel	1	
9401050BBA	5	Column	1	
GB/T5783 M10x20	6	Screw	4	
GB/T93 10	7	Washer	4	
BZZ180	8	Box	1	
9400103BBA	9a	Connector	2	
9403070FBB	9b	Connector	1	
9403080FBB	9c	Connector	1	
14x1.9-F GB1235-76	10	Seal	6	
9403030EUE	11	Pipe	1	
9400070EUE	12	Pipe	1	
9403020EUE	13	Pipe	1	
9400060EUE	14	Pipe	1	
20 JB/T982-1977	15	Washer	12	
9402040EUE	16	Hose	1	
9550307BBB	17	Bolt	3	
16x2.4-F GB1235-76	18	Seal	3	
14 JB/T990-1977	19	Connector	1	
GB/T5782 M8x70	20	Screw	3	
GB/T93 8	21	Washer	6	
FLDD6	23	Valve	1	
9400108BBB	24	Pad	3	
9400080BBS01	25	Pin	1	
24 JB/T982-1977	26	Washer	1	
9580301EFA-3	27	Connector	1	

PSU Steering Wheel, Steering Cylinder and pipings



G
9
2
G
G
9
9
94
G
94
G
94
M
94
14
94
GE
GE
93
GB
GB
940
M1
948
15x
940

PSU Steering Wheel, Steering Cylinder and Pippings

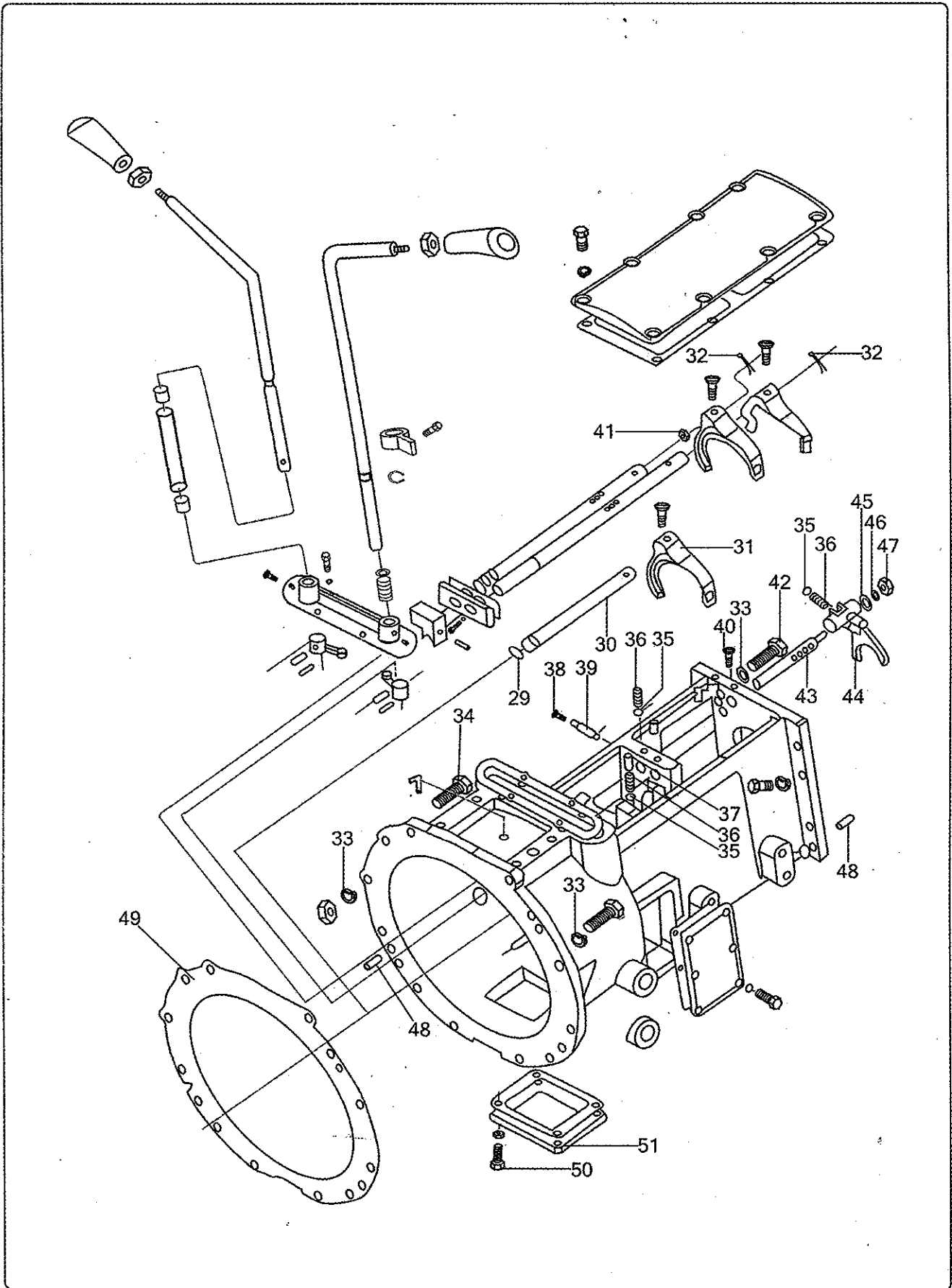
Part Number	Ref.	Description of Part	Unit	Remarks/ Service Bulletin No.
			Quantity	
GB/T5783-2000 M8x35	28	Screw	3	
9402050EUE	29	Hose I	1	
22x2.4-F GB1235	30	Seal	1	
GB/T93 18	31	Washer	2	
GB/T6172 M18x1.5	32	Nut	2	
9400109BBA01	33	Support	1	
9402060EUE	34	Hose I	1	
9400105BBD	36	Support	1	
GB/T93 12	37	Washer	6	
9400106BBD	38	Screw	2	
GB/T91 3.2x20	39	Pin	2	
9401112ABA	40	Packing	2	
M6 JB/T7940.1	41	Nipple	2	
9401070ABA	42	Cylinder	1	
14-T JB/T1002-1977	43	Washer	4	
9401111ABA	44	Bush	2	
GB/T848-85 12	45	Washer	2	
GB/T9459 M12x1.5	46	Nut	2	
9310809AAA	47	Boot	2	
GB/T5783 M12x35-8.8	48	Screw	4	
GB/T119 A10x30	49	Pin	2	
9400104BBD	50	Support	1	
M14x1.5x32 JB999	51	Bolt	2	
9480110AAA	52	Nylon Strip	1	
15x2.65 GB/T342.1	53	O-ring	1	
9402070EUE	54	Hose II	1	

Transmission

Front Housing, F-R Shifter and Speed Shifter Mechanism

MUSA Part Number	Ref.	Description of Part	Unit	Quantity	Remarks/ Service Bulletin No.
9370123BB	1	Handle		1	
9370145BBB04C	2	Lever		1	
9370151BB	3	Bolt		3	
GB/T95 16	4	Washer		2	
9370142BB	5	Spring		1	
GB/T5783 M8x20-8.8	6	Bolt		4	
GB/T93 8	7	Washer		22	
9371401BBB02	8	Cover		1	
9370131BB	9	Shift pin		2	
GB/T879.1 8x22	10	Pin		2	
9370151BB	11	Screw		1	
9370146BBB04	12	Lever		1	
9370122BB	13	Handle		1	
GB/T5783 M8x30-8.8	14	Bolt		8	
9370190BBS01	15	Sleeve		1	
9370132BB	16	Cover		1	
9370141BB	17	Gasket		1	
GB/T879.1 6x28	18	Pin		1	
9370129BB	19	Fork		1	
9370130BB	20	Fork		1	
9370124BBB02	21	Rail		1	
9370141BB	22	Rail		1	
9370140BB	23	Gasket		1	
9370138BB	24	Cover		1	
9370137BB	25	Shift block		1	
GB/T6170 M14	26	Nut		2	
GB/T5783 M6x20-8.8	27	Bolt		2	
GB/T93 6	28	Washer		2	

Front Housing, F-R Shifter and Speed Shifter Mechanism

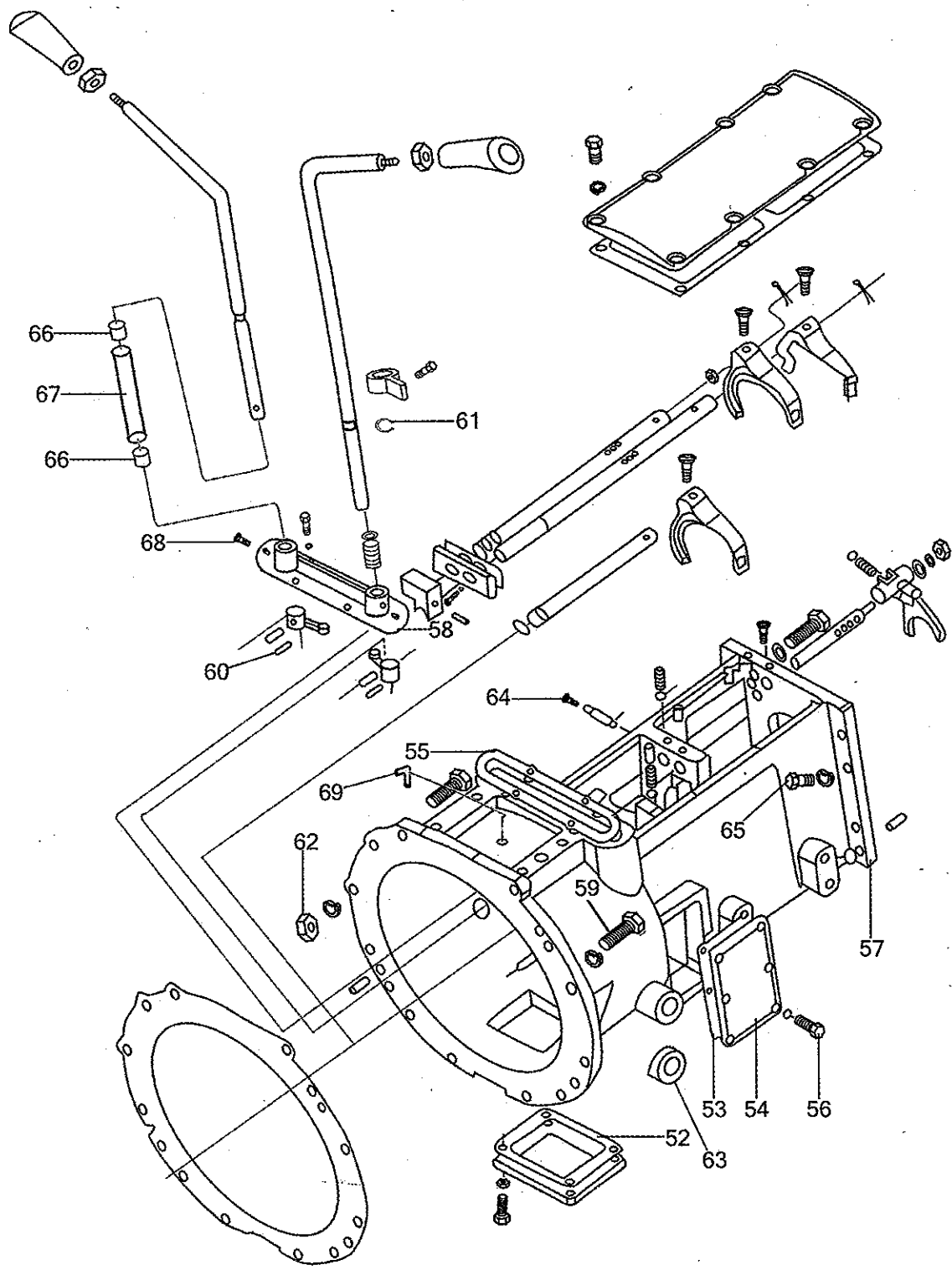


22
93
93
GB
GB
GB
3"
93
GB
Q3
93
GB
GE
GE
93
93
GB
GB
GB
GB
937
GB
921

Front Housing, F-R Shifter and Speed Shifter Mechanism

MUSA Part Number	Ref.	Description of Part	Unit	Remarks/ Service Bulletin No.
			Quantity	
22x2.4 GB1235	29	"O"-Ring	3	
9370133BBB03	30	Rail	1	
9370143BBB	31	Fork	1	
GB/T91 4x30	32	Pin	2	
GB/T93 12	33	Washer	16	
GB/T5783 M12x50-8.8	34	Bolt	2	
3"8 GB/T308-1989	35	Ball	4	
9370133AAA	36	Spring	4	
GB/T119.1 3.2x35	37	Pin	1	
Q3779M12	38	Plug	1	
9370149BBB	39	Pin	2	
GB/T75 M8x30	40	Screw	1	
GB/T6173 M18x15	41	Nut	6	
GB/T5782 M12x45	42	Bolt	2	
9370135BBB	43	Rail	1	
9370134AAA	44	Fork	1	
GB/T97.1 10	45	Washer	1	
GB/T93 10	46	Washer	1	
GB/T6170 M10	47	Nut	1	
GB/T119.1 8x30	48	Pin	4	
9370150BBB	49	Gasket	1	
GB/T5783 M8x12-8.8	50	Bolt	4	
9210107BAA	51	Cover	1	

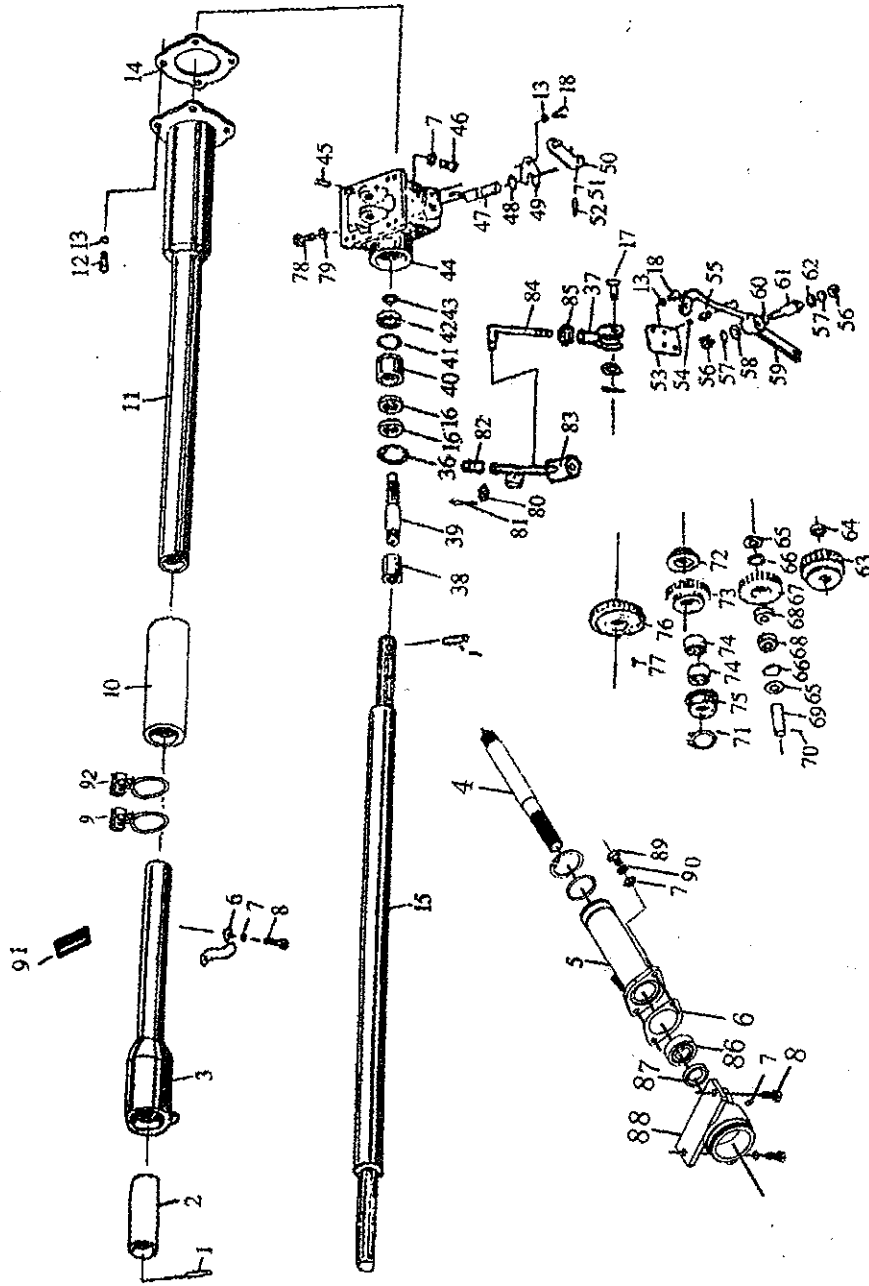
Front Housing, F-R Shifter and Speed Shifter Mechanism



Front Housing, F-R Shifter and Speed Shifter Mechanism

MUSA Part Number	Ref.	Description of Part	Unit	Remarks/ Service Bulletin No.
			Quantity	
9210108BAA	52	Gasket	1	
9370127BBB	53	Gasket	1	
9370126BBB	54	Cover	1	
9370155BBB	55	Gasket, Cover C.P.T.E. Clutch Housing	1	
GB/T5783 M8x25-8.8	56	Bolt	6	
9370101BBB01	57	Housing	1	
M6 JB/T7940.1	58	Grease Nipple	1	
GB/T5782 M12x35-10.9	59	Bolt	12	
GB/T879.1 5x22	60	Pin	2	
GB/T894.1 16	61	Washer	1	
GB/T6170 M12	62	Nut	2	
9370162AAA	63	Sleeve	2	
1023015DAH	64	Rubber plug	1	
GB/T5782 M12x35	65	Bolt	9	
RCB1615	66	Bearing	2	
9371403BBB	67	Long Pipe	1	
GB/T5783 M8x20-8.8	68	Bolt	4	
9550111AAA	69	Pipe	1	

Transfer Case and Drive Shaft

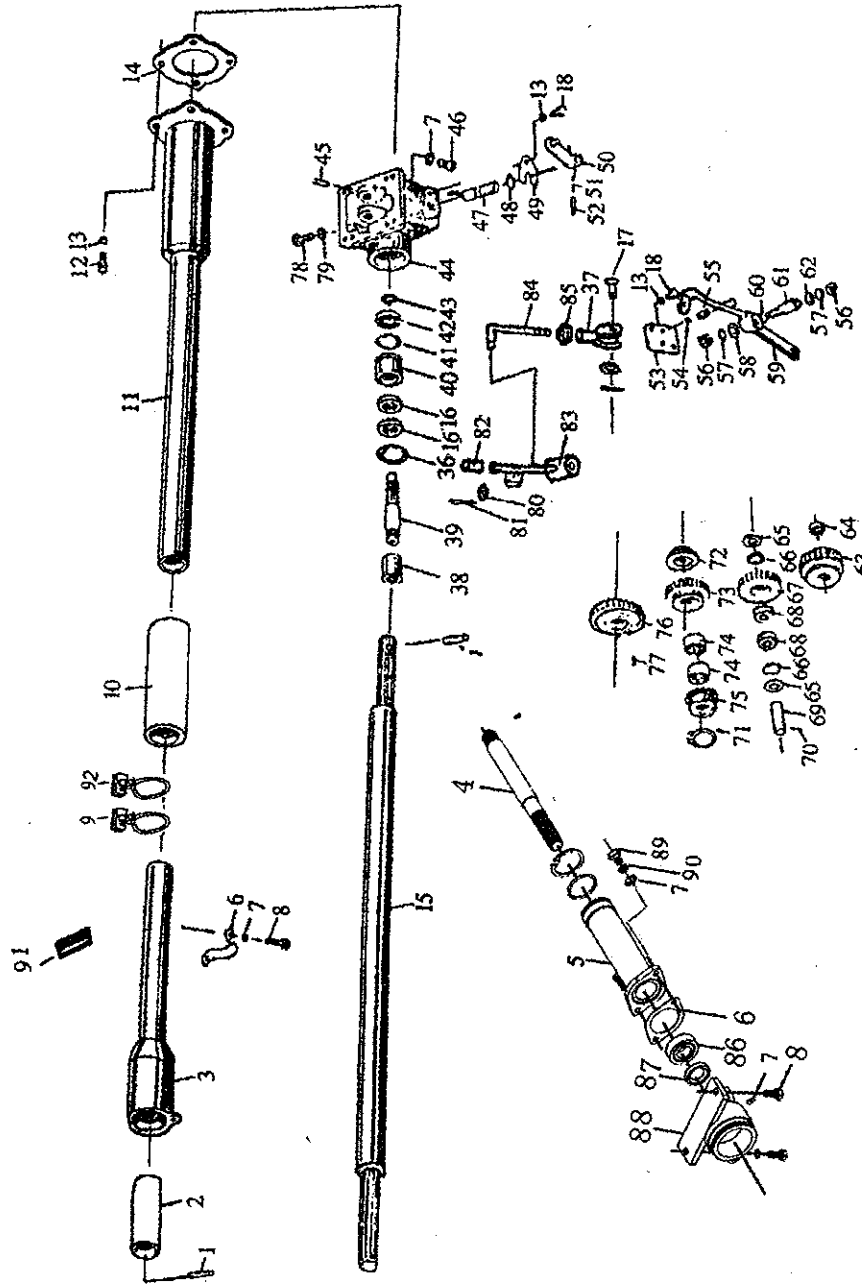


G
94
94
94
94
67
G
G
Z
94
94
G
G
94
94
DS
GE
GE
GE
94
94
94
94
80
63
GB
94
GB
GB

Transfer Case and Drive Shaft

Part Number	Ref.	Description of Part	Unit	Remarks/ Service Bulletin No.
			Quantity	
GB/T879.1 8x35	1	Pin	2	
9420111BBD	2	Spacer	2	
9420020EUE	3	Tube	1	
9420145EUE	4	Shaft	1	
9420091EUE	5	Cover	1	
67x2.65 GB/T3452.1	6	Seal	2	
GB/T93 8	7	Washer	8	
GB/T5782 M10x30	8	Bolt	2	
ZBT32005.1-88	9	Clip 58	2	
9420112ABA	10	Seal	2	
9420060EUE	11	Tube	1	
GB/T5783 M8x20-8.8	12	Bolt	4	
GB/T93 8	13	Washer	11	
9420109BBD	14	Washer	1	
9420136EUE	15	Shaft	1	
DSZ62x35x10 GB/T9877.1	16	Seal	2	
GB/T882 10x30	17	Pin	1	
GB/T5783 M8x16-8.8	18	Bolt	3	
GB/T893.1 55	36	Bush	1	
9430108EFA	37	Fork	1	
9420110BBD	38	Spacer	1	
9420106ABA	39	Shaft	1	
9420110ABA	40	Seat	1	
80x5.7 GB1235	41	O-Seal	1	
6305 GB/T276-1994	42	Bearing	1	
GB/T894.1 25	43	Spacer	1	
9420108BBD	44	Box	2	
GB/T119.1 8x22	45	Pin	3	
GB/T5783 M10x35-8.8	46	Bolt	1	

Transfer Case and Drive Shaft

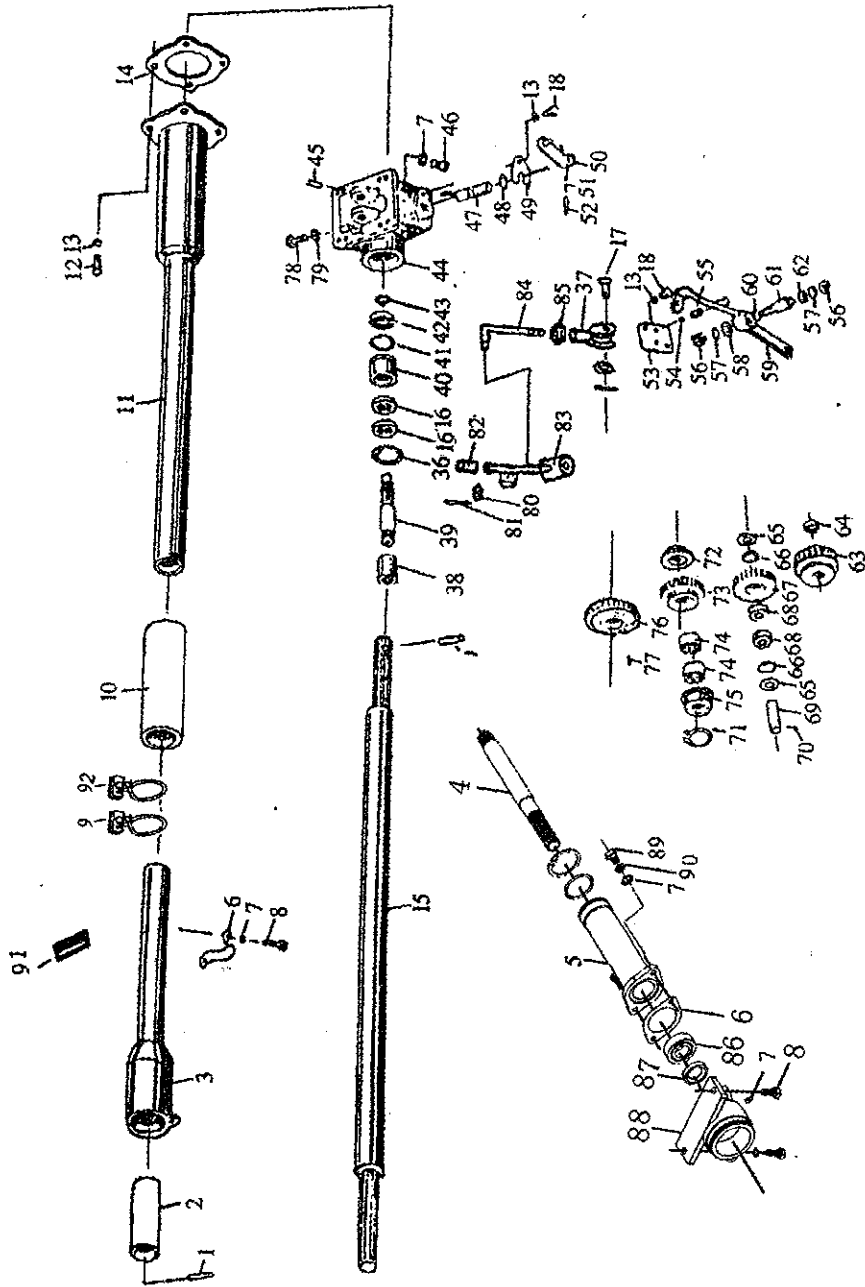


94
20
94
94
GE
GE
94
10.0
93
GB
GB
GB
942
14x
942
GB/
9420
6304
9420
47/5
9420
6204
9420
GB/T
GB/T
9420
9420

Transfer Case and Drive Shaft

Part Number	Ref.	Description of Part	Unit	Remarks/ Service Bulletin No.
			Quantity	
9420070ABA	47	Rod	1	
20X2.4 GB1235	48	O-Seal	1	
9420113ABA	49	Plate	1	
9420080ABA	50	Arm	1	
GB/T879.1 5X32	51	Pin	1	
GB/T879.1 8X32	52	Pin	1	
9421050ABA	53	Plate	1	
10.0000G100b GB/T308-1989	54	Ball	1	
9370133AAA	55	Spring	1	
GB/T6170 M12	56	Nut	2	
GB/T93 12	57	Washer	2	
GB/T97.1 12	58	Washer	1	
9420040EUE	59	Rod	1	
14X2.4 GB1235	60	O-Seal	1	
9420114ABA	61	Shaft	1	
GB/T96.1 12	62	Washer	1	
9420105EDF	63	Gear	1	
6304 GB/T276-1994	64	Bearing	1	
9420116ABA	65	Spacer	2	
47/52.7 GB/T305-1998	66	Clip	2	
9420104EDF	67	Gear	1	
6204N GB/T276-1994	68	Bearing	2	
9420109ABA	69	Shaft	1	
GB/T879.1 6X35	70	Pin	1	
GB/T894.1 30	71	Spacer	1	
9420107ABA	72	Spacer	1	
9420103EDG	73	Gear	1	

Transfer Case and Drive Shaft

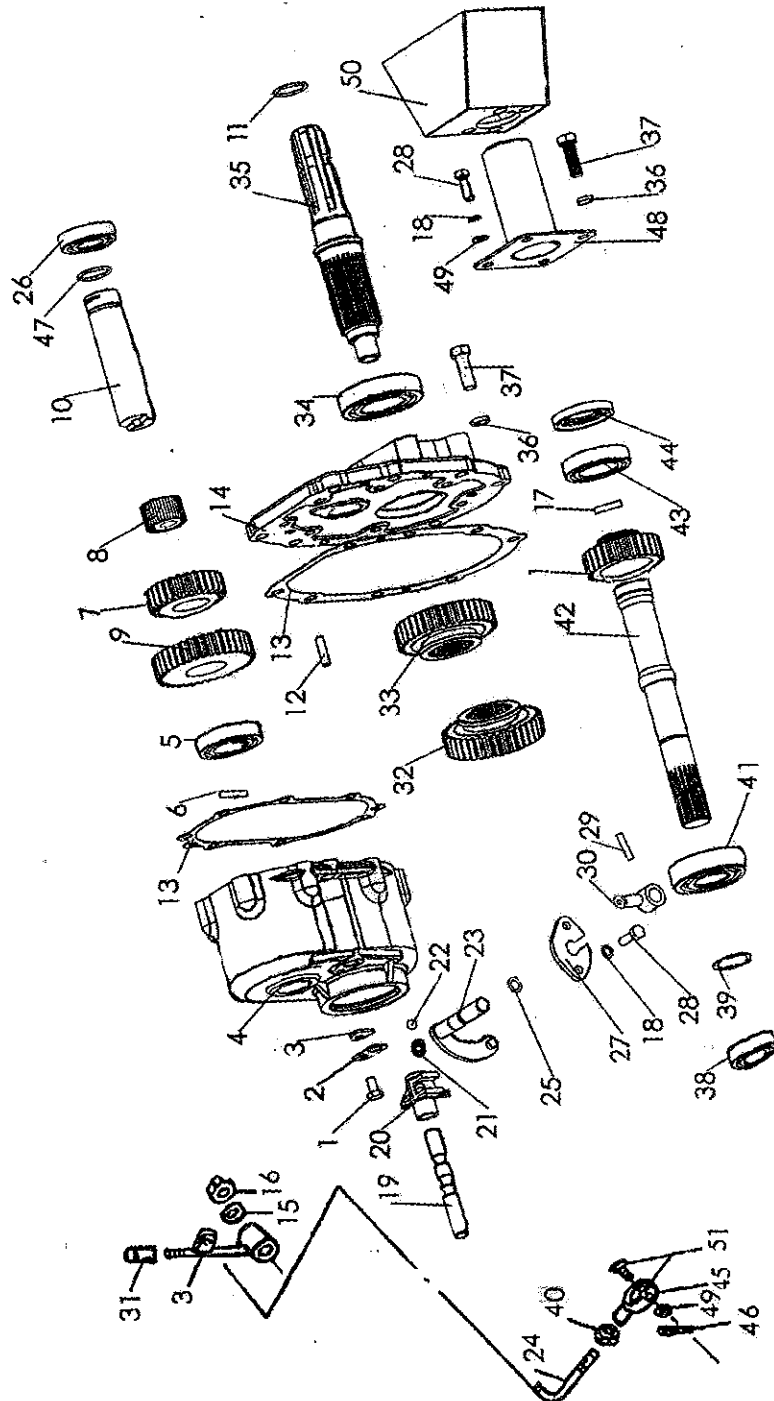


4524
 9420
 9420
 9420
 9380
 20 JE
 GB/T9
 GB/T9
 94200
 94200
 94201
 GB/T6
 6007-2
 942013
 942013
 GB/T57
 GB/T61
 942013
 942103

Transfer Case and Drive Shaft

Part Number	Ref.	Description of Part	Unit	Remarks/ Service Bulletin No.
			Quantity	
4524906	74	Bearing	2	
9420112BBD	75	Spacer	1	
9420102EDF	76	Gear	1	
9420119ABA	77	Plate	1	
9380120AAD01	78	Screw	1	
20 JB/T982-1977	79	Washer	1	
GB/T91 3.2x25	80	Pin	2	
GB/T97.1 10	81	Washer	2	
9420050BBA	82	Handle	1	
9420030BBS	83	Shift Lever	1	
9420106EUE	84	Rod	1	
GB/T6171 M10x1	85	Nut	1	
6007-2RS GB/T276-1994	86	Bearing	1	
9420133BBJ	87	Mat	1	
9420131EUE	88	Plate	1	
GB/T5782 M8x70	89	Bolt	3	
GB/T6170 M8	90	Nut	3	
9420134EUE	91	Gasket	1	
9421030ABA	92	Clip ϕ 53	1	

Power Take Off

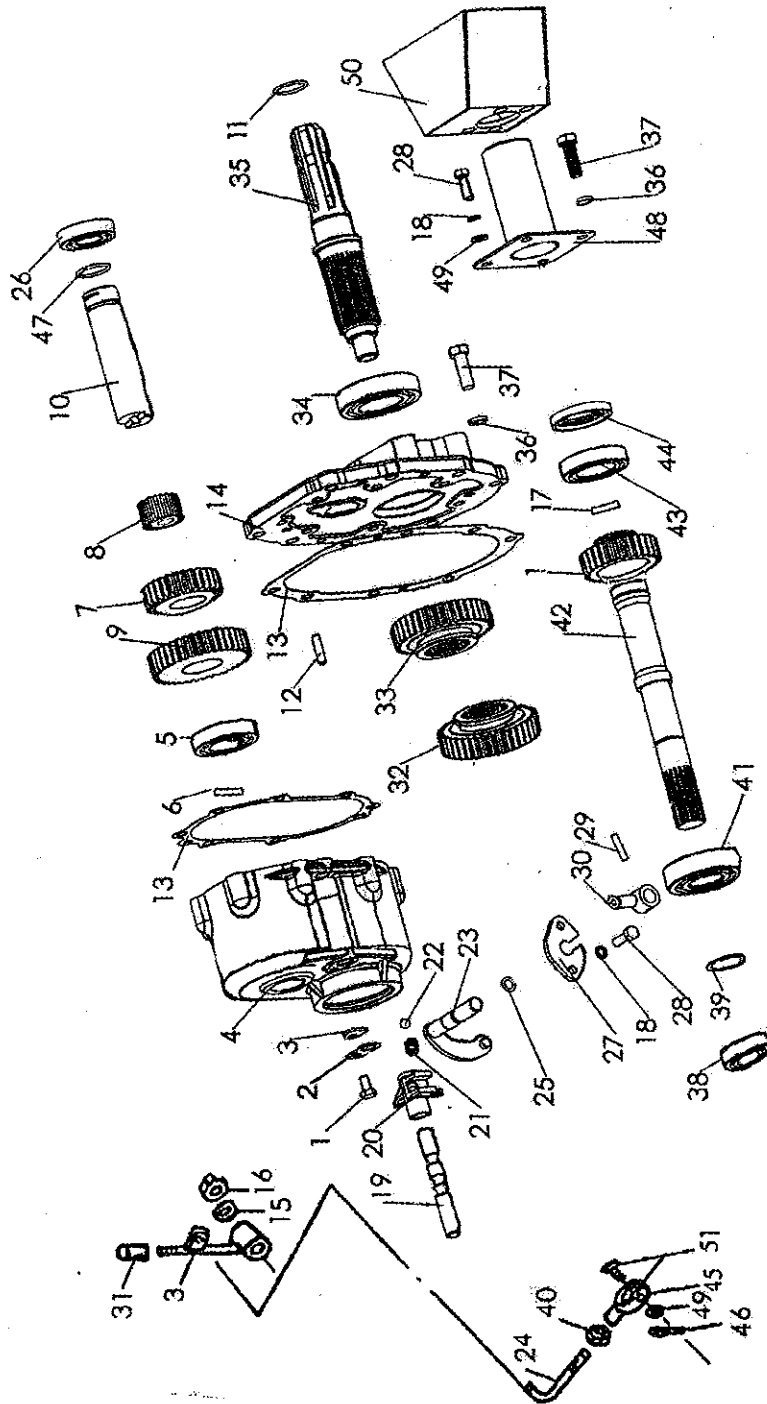


GE
GE
94
94
62
GE
94
94
94
94
100/
GB
941
941
GB/
GB/
9410
9410
9410
8.000
9410
9410

Power Take Off

Part Number	Ref.	Description of Part	Unit	Remarks/ Service Bulletin No.
			Quantity	
GB/T879.1 6x50	1	Pin	2	
GB/T91 3.2x30	2	Pin	1	
9410020BBS	3	Rod	1	
9410101EDF01	4	Housing	1	
6208 GB/T276-1994	5	Bearing	1	
GB/T879.1 8x50	6	Pin	1	
9410109EDG	7	Gear 540	1	
9410110EDF	8	Spacer	1	
9410108EDF	9	Gear	1	
9410111EDF	10	Shaft	1	
100/106.5 GB/T305-1998	11	Circlip	1	
GB/T119.1 8x22	12	Pin	2	
9410113EDF	13	Gasket	1	
9410114EDF	14	Cover	1	
GB/T96.1 12	15	Washer	1	
GB/T6170 M12	16	Nut	1	
9410125EDF	17	Spacer	1	
GB/T93 8	18	Washer	5	
9410107EDF	19	Shaft	1	
9410106EDF01	20	Fork	1	
9410120AAB	21	Spring	1	
8.0000G/00p GB/T308-1989	22	Ball	1	
9410030EUE	23	Shift Lever	1	
9410123EUE	24	Rod	1	

Power Take Off

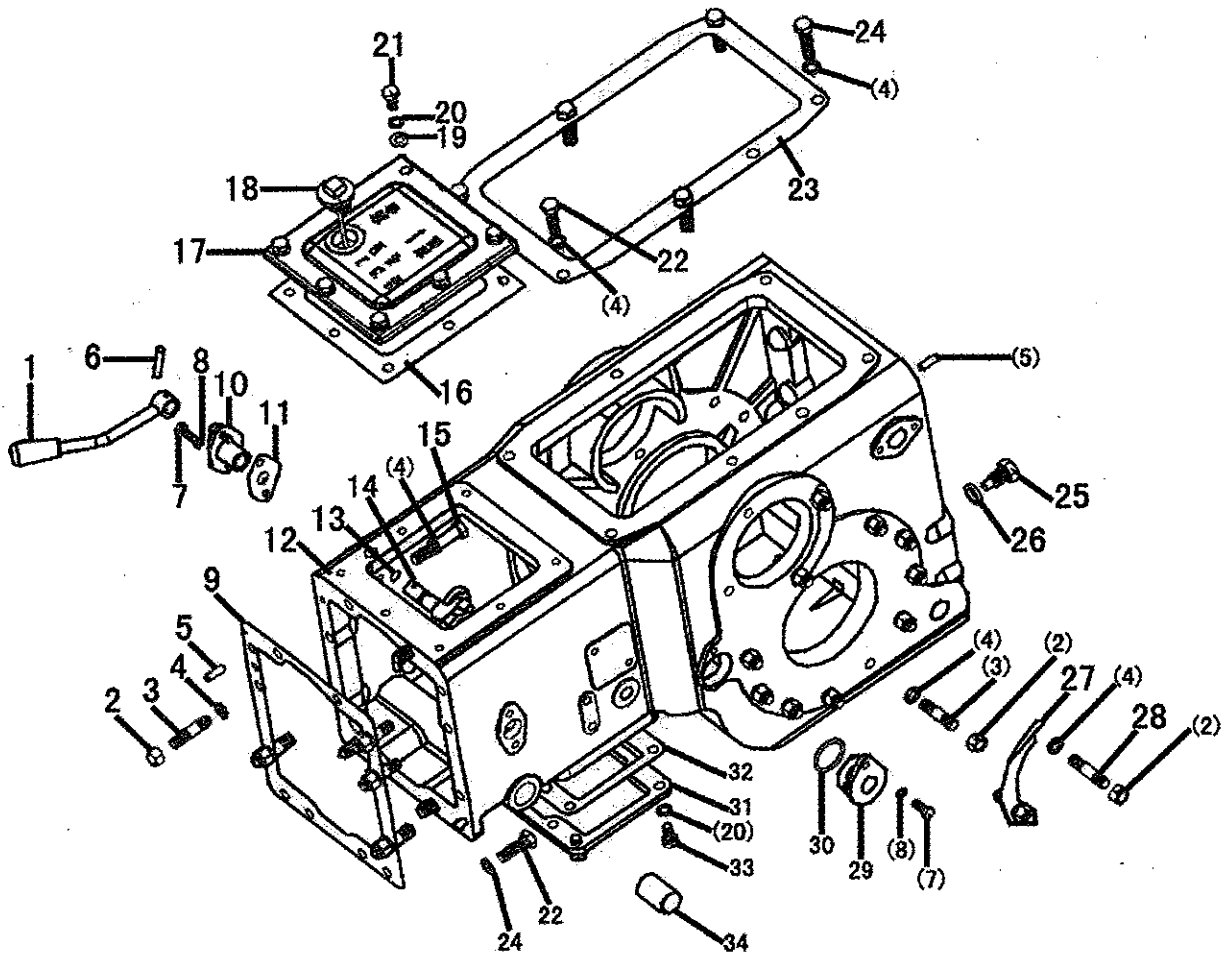


1
6
9
G
G
94
94
94
94
62
94
G
G
62
G
G
63
94
NJ1
FB4
941
GB
80/
941
GB/
941
GB/

Power Take Off

Part Number	Ref.	Description of Part	Unit	Remarks/ Service Bulletin No.
			Quantity	
19x2.65 GB/T3452.1	25	Seal	1	
6307N GB/T276-1994	26	Bearing	1	
9410105EDF	27	Clip	1	
GB/T5783 M8x20-8.8	28	Bolt	5	
GB/T879.1 8x35	29	Pin	1	
9410070BAB	30	Rocker	1	
9410090BBA	31	Handle	1	
9410103EDF	32	Gear	1	
9410117EDG	33	Gear	1	
6211N GB/T276-1994	34	Bearing	1	
9410020EUE	35	Shaft	1	
GB/T93 12	36	Washer	8	
GB/T5783 M12x35-8.8	37	Bolt	8	
6206 GB/T276-1994	38	Bearing	1	
GB/T894.1 35	39	Washer	4	
GB/T6171 M10	40	Nut	1	
6307 GB/T276-1994	41	Bearing	1	
9410102EDF	42	Shaft	1	
NJ1011x2 GB/T283-1994	43	Bearing	1	
FB40x62x12 GB/T9877.1	44	Gasket	1	
9410123BAB	45	Rod	1	
GB/T91 3.2x30	46	Pin	2	
80/80.6 GB/T305-1998	47	Clip	1	
9410124EUE	48	Cover	1	
GB/T97.1 10	49	Washer	2	
9410050EUE	50	Guard	1	
GB/T882 10x30	51	Pin	1	

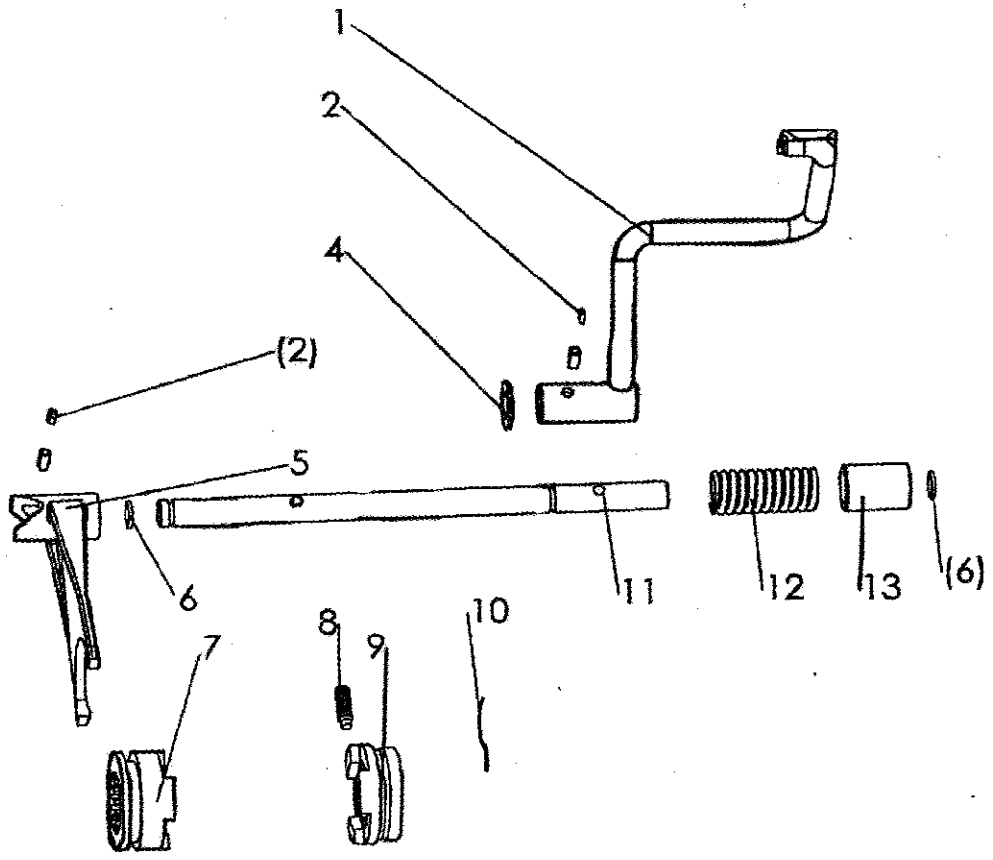
Differential Housing and Levers



Differential Housing and Levers

Part Number	Ref.	Description of Part	Unit	Remarks/ Service Bulletin No.
			Quantity	
9380081BBA	1	Lever	1	
GB/T6170 M12	2	Nut	31	
GB/T898 AM12x35-8.8	3	Stud	23	
GB/T93 12	4	Washer	44	
GB/T119.1 8x22	5	Pin	4	
GB/T879.1 6x28	6	Pin	1	
GB/T5783 M8x20-8.8	7	Bolt	3	
GB/T93 8	8	Washer	3	
9380102AAA	9	Gasket	1	
9380111AAA	10	Bush	1	
9380109AAA	11	Gasket	1	
9380101EUE	12	Body	1	
10.6x2.65 GB/T3452.1	13	O-Seal	1	
9380110BBA	14	Pin	1	
GB/T5782 M10x60	15	Bolt	2	
9380103AAA	16	Gasket	1	
9380040AAA	17	Cover	1	
9380050AAA	18	Dipstick	1	
GB/T97.2 10	19	Washer	7	
GB/T93 10	20	Washer	13	
GB/T5783 M10x20-8.8	21	Bolt	7	
GB/T5786 M12x1.5x35-8.8	22	Bolt	6	
9380105AAA	23	Gasket	1	
GB/T5782 M12x45	24	Bolt	5	
9380120AAD01	25	Bolt	1	
20 JB/T982-1977	26	Washer	1	
9380107EDF	27	Gasket	4 Group	
GB/T898 AM12x40-8.8	28	Stud	8	
93801060EDF	29	Cover	1	
33.55x3.35 GB/T3452.1	30	O-Seal	1	
9380143EDF	31	Cover	1	
9381101ABA	32	Gasket	1	
GB/T5783 M10x25-8.8	33	Bolt	6	

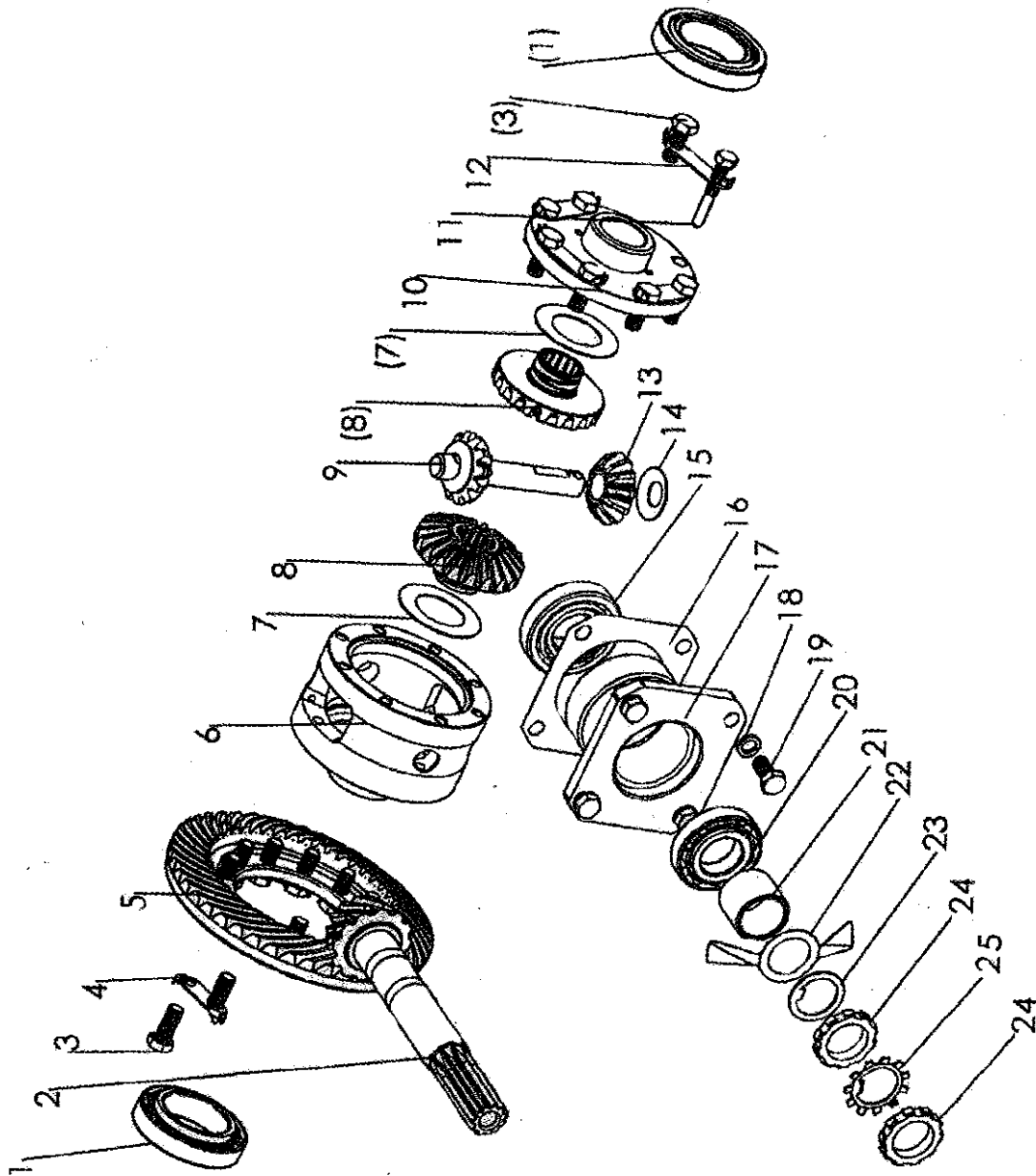
Differential Housing and Levers



Differential Housing and Levers

Part Number	Ref.	Description of Part	Unit	Remarks/ Service Bulletin No.
			Quantity	
9381020EUF	1	Handle	1	
GB/T879.1 5x35	2	Pin	2	
GB/T879.1 8x35	3	Pin	2	
GB/T97.2 20	4	Washer	1	
9380154EDF	5	Fork	1	
15x2.65 GB/T3452.1	6	O-Seal	2	
9380169EDF	7	Spacer	1	
GB/T75 M10x20	8	Screw	2	
9380170EDF	9	Spacer	1	
1-1.40x260 GB/T3081-1982	10	Steel Wire	1	
9380155EDF	11	Shaft	1	
9381104ABA	12	Spacer	1	
9380152EDF	13	Spacer	1	

Differential Gears and Shaft



Differential Gears and Shaft

Part Number	Ref.	Description of Part	Unit	Remarks/ Service Bulletin No.
			Quantity	
32011 GB/T297-1994	1	Bearing	2	
9380301EDF	2	Gear	1	
GB/T5785 M10x30-8.8	3	Bolt	19	
9380210EDF	4	Shim	6	
9380203EDF	5	Gear	1	
9380201EDF	6	Body	1	
9380208EDF	7	Shim	2	
9380205EDF	8	Gear	2	
9380206EDF	9	Shaft	1	
9380202EDF	10	Cover	1	
9380211EDF	11	Screw	1	
9380212EDF	12	Shim	4	
9380204EDF	13	Gear	2	
9380207EDF	14	Shim	2	
31307 GB/T297-1994	15	Bearing	1	
9380104AAA	16	Shim	1	
9380302EDF	17	Seat	1	
GB/T93 12	18	Washer	4	
GB/T5786 M12x1.6x35-8.8	19	Bolt	4	
31207 GB/T297-1994	20	Bearing	1	
9380307BAB	21	Spacer	1	
9380309AAA	22	Piece	1	
9380308AAA	23	Piece	1	
9380304AAA	24	Nut	2	
9380305AAA	25	Washer	1	

Rear Axle

Part Number	Ref.	Description of Part	Unit	Remarks/ Service Bulletin No.
			Quantity	
GB/T6170 M20	1	Nut	1	
GB/T93 20	2	Washer	1	
GB/T97.1 20	3	Washer	1	
9390106EDF	4	Spacer	1	
PD50x70x12 GB/T9877.1	5	Seal	1	
6307 GB/T276-1994	6	Bearing	1	
26.5x2.65 GB/T3452.1	7	O-Seal	1	
9390104EUE	8	Gear	1	
9390103EDF	9	Seat	1	
103x3.55 GB/T3452.1	10	O-Seal	1	
SD60x90x12 GB/T9877.1	11	Seal	2	
9390102AAA	12	Cover	1	
GB/T93 12	13	Washer	6	
GB/T5783 M12x35-8.8	14	Bolt	6	
9390102EDF	15	Half Shaft	1	
GB/T898 M16x30	16	Bolt	2	
GB/T5783 M16x30-8.8	17	Bolt	6	
9390109AAA	18	Gasket	1	
30211 GB/T297-1994	19	Bearing	1	
9390110EDF	20	Tube	1	
128x3.55 GB/T3452.1	21	O-Seal	1	
32014 GB/T297-1994	22	Bearing 2007114E	1	
9390105EDF	23	Driven Gear	1	
9390114EDF	24	Nut	2	
9390115EDF	25	Shim	1	